

735410 ✓ ACTIVE

ELECTRO-TAP

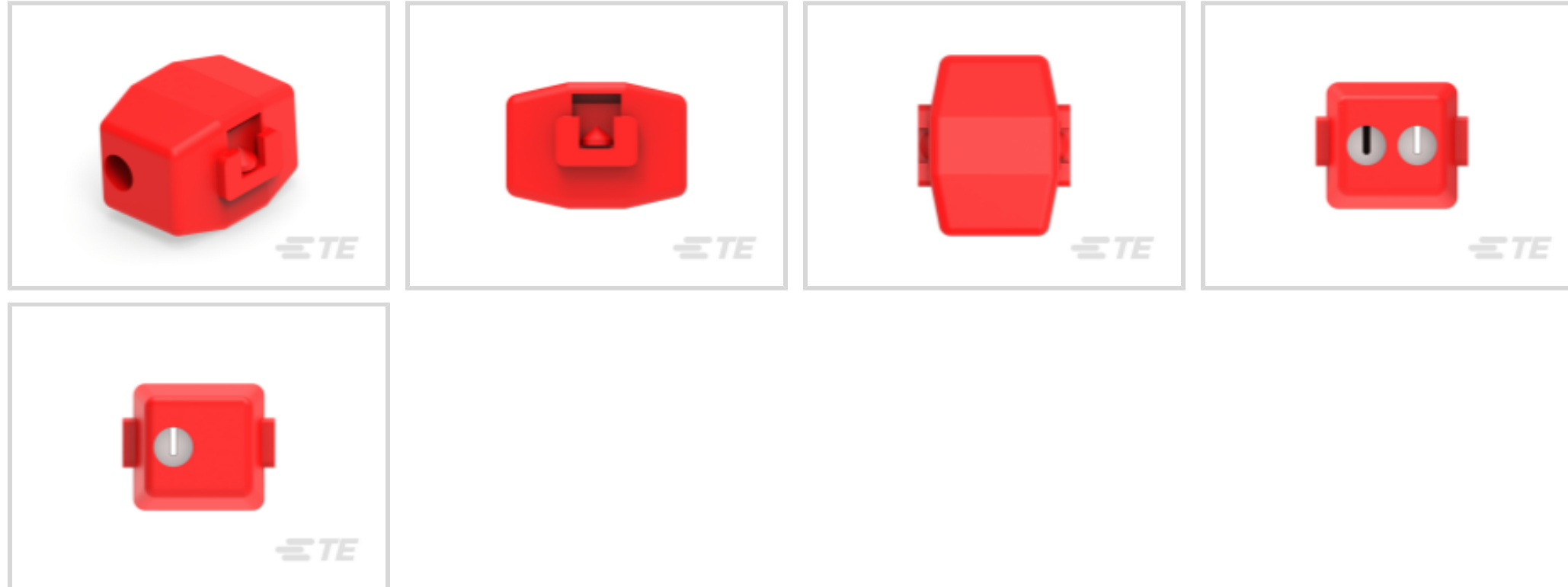
TE Internal #: 735410

Splices, Tap Splice, 20 – 18 AWG Wire Size, .5 – .75 mm² Wire Size, 642 – 1624 CMA Wire Size, Brass, Red, Length 1.374 in [34.9 mm], Bag, ELECTRO-TAP

[View on TE.com >](#)



Terminals & Splices > Splices



Splice Type: **Tap Splice**

Wire Size: **.5 – .75 mm²**

Sealable: **No**

Compatible Insulation Diameter Range: **4 mm [.157 in]**

Features

Product Type Features

| | |
|--|--------------------|
| Splice Accessory Type | Tap Cover |
| Splice Type | Tap Splice |
| Sealable | No |
| Compatible With Discrete Wire Type | Stranded |
| Wire Insulation Support Retention Type | Insulation Support |

Configuration Features

| | |
|-----------------------------------|---------------|
| Compatible With Wire & Cable Type | Discrete Wire |
|-----------------------------------|---------------|

Body Features

| | |
|-----------------------|-----|
| Primary Product Color | Red |
|-----------------------|-----|

Contact Features

| | |
|---------------------------|-------|
| Terminal Plating Material | Tin |
| Contact Base Material | Brass |

Termination Features

| | |
|------------------------------------|-------|
| Termination Method to Wire & Cable | Crimp |
|------------------------------------|-------|



Mechanical Attachment

| | |
|-------------------------|------|
| Wire Insulation Support | With |
|-------------------------|------|

Housing Features

| | |
|------------------|------------|
| Housing Material | Nylon - GF |
|------------------|------------|

Dimensions

| | |
|--------------------------------------|--------------------------|
| Tap Wire Size | .5 – .75 mm ² |
| Wire Size | 642 – 1624 CMA |
| Compatible Insulation Diameter Range | 4 mm [.157 in] |
| Product Length | 34.9 mm [1.374 in] |

Usage Conditions

| | |
|-----------------------------|-----------------|
| Insulation Option | Fully Insulated |
| Operating Temperature Range | 105 °C [221 °F] |

Industry Standards

| | |
|-----------------------------|----|
| Government Qualified Splice | No |
|-----------------------------|----|

Packaging Features

| | |
|--------------------|-----|
| Packaging Quantity | 100 |
| Packaging Method | Bag |

Product Compliance

[For compliance documentation, visit the product page on TE.com>](#)

| | |
|---|---|
| EU RoHS Directive 2011/65/EU | Compliant |
| EU ELV Directive 2000/53/EC | Compliant |
| China RoHS 2 Directive MIIT Order No 32, 2016 | No Restricted Materials Above Threshold |
| EU REACH Regulation (EC) No. 1907/2006 | Current ECHA Candidate List: JAN 2024 (240) Candidate List Declared Against: JAN 2024 (240) Does not contain REACH SVHC |
| Halogen Content | BFR/CFR/PVC Free, but Br/Cl >900 ppm in other sources. |
| Solder Process Capability | Not applicable for solder process capability |

Product Compliance Disclaimer

This information is provided based on reasonable inquiry of our suppliers and represents our current actual knowledge based on the information they provided. This information is subject to change. The part numbers that TE has identified as EU RoHS compliant have a maximum concentration of 0.1% by weight in homogenous materials for lead, hexavalent

chromium, mercury, PBB, PBDE, DBP, BBP, DEHP, DIBP, and 0.01% for cadmium, or qualify for an exemption to these limits as defined in the Annexes of Directive 2011/65/EU (RoHS2). Finished electrical and electronic equipment products will be CE marked as required by Directive 2011/65/EU. Components may not be CE marked. Additionally, the part numbers that TE has identified as EU ELV compliant have a maximum concentration of 0.1% by weight in homogenous materials for lead, hexavalent chromium, and mercury, and 0.01% for cadmium, or qualify for an exemption to these limits as defined in the Annexes of Directive 2000/53/EC (ELV). Regarding the REACH Regulation, the information TE provides on SVHC in articles for this part number is based on the latest European Chemicals Agency (ECHA) 'Guidance on requirements for substances in articles' posted at this URL: <https://echa.europa.eu/guidance-documents/guidance-on-reach>

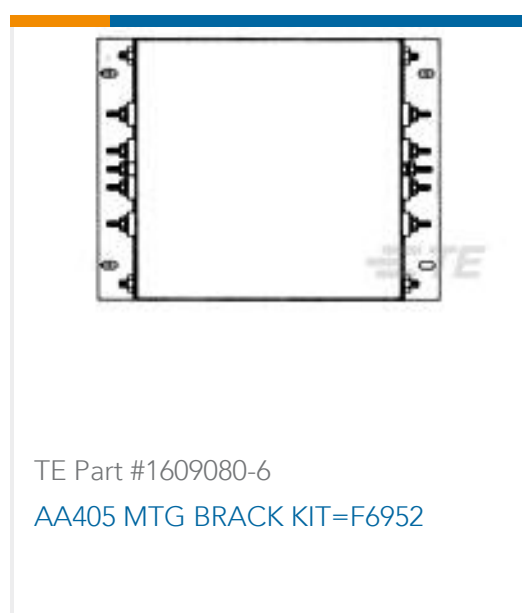
Compatible Parts



Also in the Series | ELECTRO-TAP

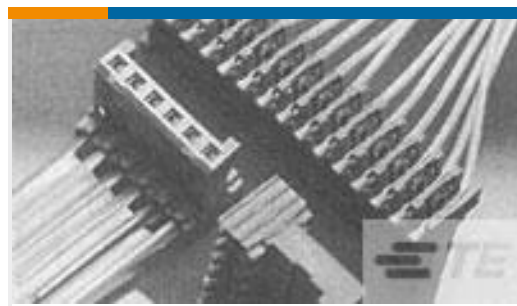


Customers Also Bought





TE Part #2106124-2
Contact, Tab, Tin Plated, Std Lgth



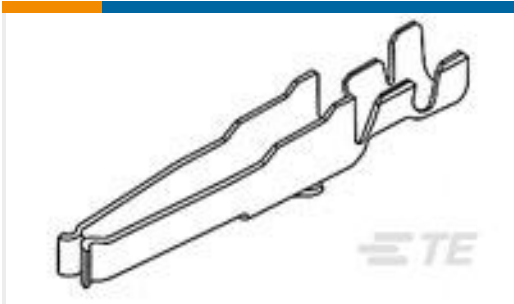
TE Part #144273-4
PLUG HE13 IDC 90 4 P AWG 24



TE Part #6-1379731-3
18pos MQS .63 header 90deg THR



TE Part #925366-5
MOD 4 REC.HSG 1X05P



TE Part #166632-1
IEC-F F.CONT.COSI

Documents

CAD Files

3D PDF

3D

Customer View Model

[ENG_CVM_CVM_735410_E.2d_dxf.zip](#)

English

Customer View Model

[ENG_CVM_CVM_735410_E.3d_igs.zip](#)

English

Customer View Model

[ENG_CVM_CVM_735410_E.3d_stp.zip](#)

English

3D PDF

English

Customer View Model

[ENG_CVM_735410_C2.3d_igs.zip](#)

English

Customer View Model

[ENG_CVM_735410_C2.3d_stp.zip](#)

English

Customer View Model

[ENG_CVM_735410_C2.2d_dxf.zip](#)

English

By downloading the CAD file I accept and agree to the [Terms and Conditions](#) of use.

Datasheets & Catalog Pages

[ELECTRO-TAP CABLE CONNECTOR/SPLICE](#)

735410

Splices, Tap Splice, 20 – 18 AWG Wire Size, .5 – .75 mm² Wire Size, 642 – 1624 CMA
Wire Size, Brass, Red, Length 1.374 in [34.9 mm], Bag, ELECTRO-TAP



English