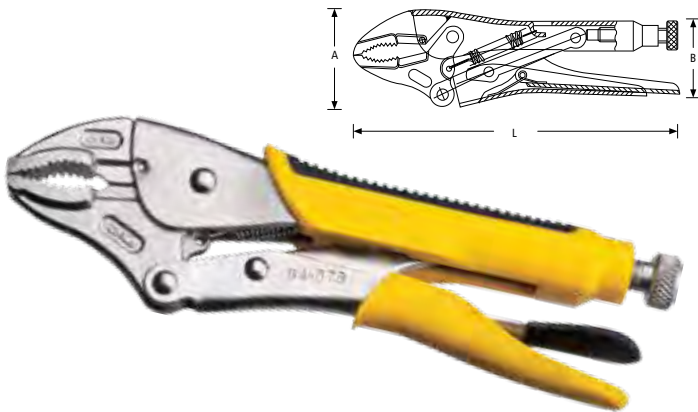


## DYNAGRIP™ CURVED JAW PRO LOCKING PLIERS

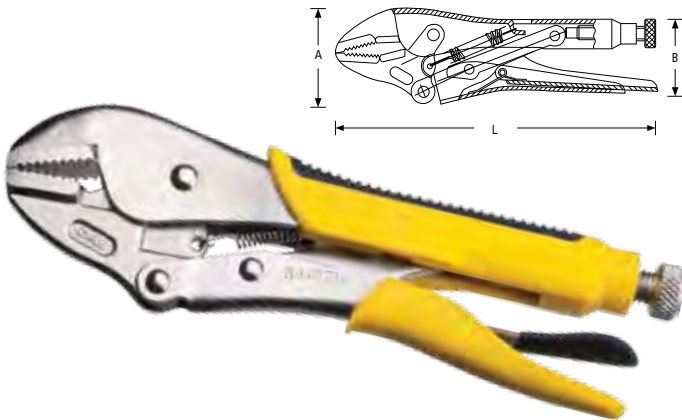


- Chrome plating is corrosion resistant
- Forged and machined jaws for maximum durability
- Screws adjust the jaws and the clamping pressure amount for precision
- Safety and ease when opening



SKU #	Description	A (mm)	B (mm)	L (mm)	Box Qty
STHT84378-8	10" Curved Jaw Pro Locking Pliers	65	60	254	6

## DYNAGRIP™ STRAIGHT JAW PRO LOCKING PLIERS

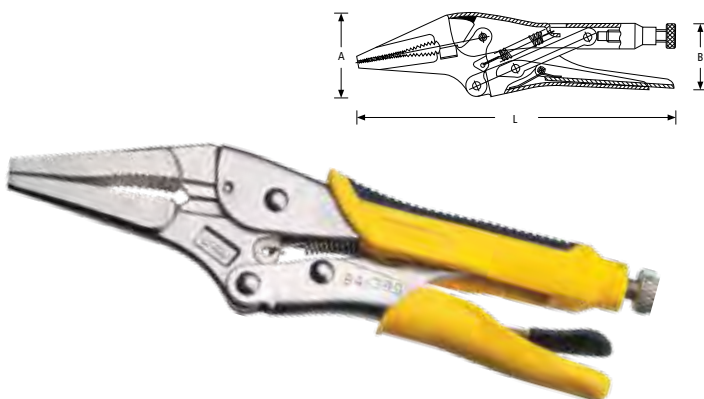


- Chrome plating is corrosion resistant
- Forged and machined jaws for maximum durability
- Screws adjust the jaws and the clamping pressure amount for precision
- Safety and ease when opening



SKU #	Description	A (mm)	B (mm)	L (mm)	Box Qty
STHT84379-8	10" Straight Jaw Pro Locking Pliers	66	47	254	6

## DYNAGRIP™ LONG NOSE PRO LOCKING PLIERS

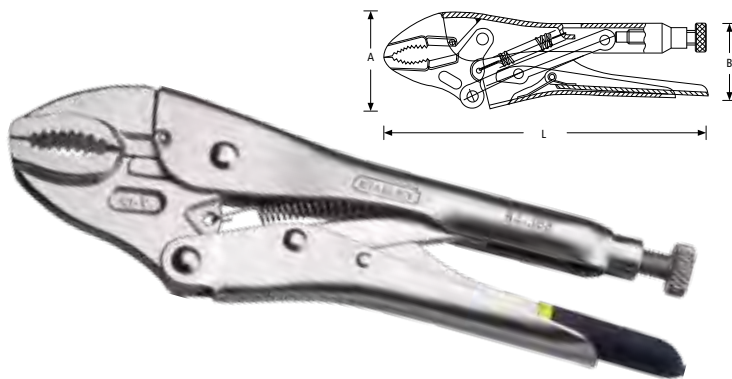


- Chrome plating is corrosion resistant
- Forged and machined jaws for maximum durability
- Screws adjust the jaws and the clamping pressure amount for precision
- Safety and ease when opening



SKU #	Description	A (mm)	B (mm)	L (mm)	Box Qty
STHT84389-8	9-1/2" Long Nose Pro Locking Pliers	50.8	47.8	228	6

## CURVED JAW LOCKING PLIERS

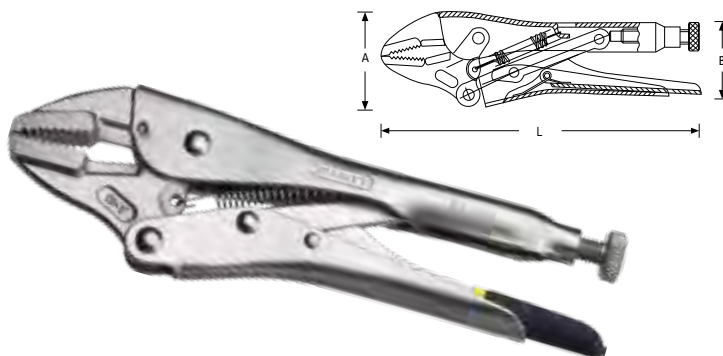


- Chrome plating is corrosion resistant
- Forged and machined jaws for maximum durability
- Screws adjust the jaws and the clamping pressure amount for precision
- Safety and ease when opening



SKU #	Description	A (mm)	B (mm)	L (mm)	Box Qty
STHT84368-8	7" Curved Jaw Locking Pliers	56	56	175	6
STHT84369-8	10" Curved Jaw Locking Pliers	66	66	254	6

## STRAIGHT JAW LOCKING PLIERS

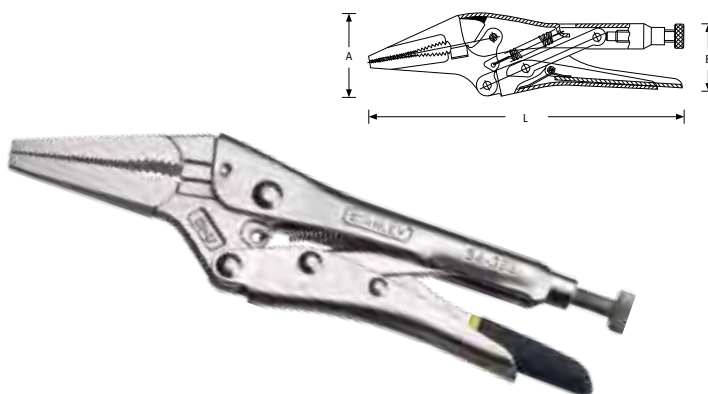


- Chrome plating is corrosion resistant
- Forged and machined jaws for maximum durability
- Screws adjust the jaws and the clamping pressure amount for precision
- Safety and ease when opening



SKU #	Description	A (mm)	B (mm)	L (mm)	Box Qty
STHT84370-8	7" Straight Jaw Locking Pliers	55	55	175	4
STHT84371-8	10" Straight Jaw Locking Pliers	66	66	254	4

## LONG NOSE LOCKING PLIERS

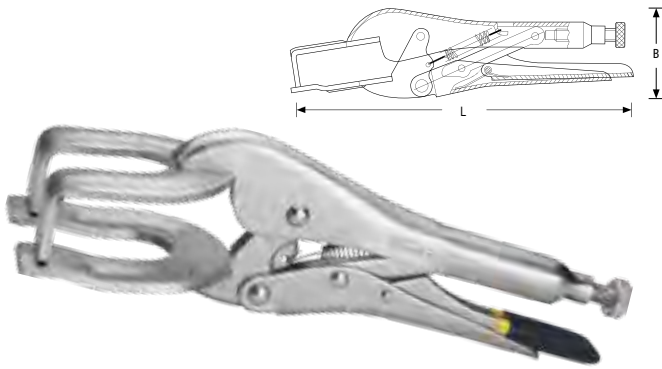


- Chrome plating is corrosion resistant
- Forged and machined jaws for maximum durability
- Screws adjust the jaws and the clamping pressure amount for precision
- Safety and ease when opening



SKU #	Description	A (mm)	B (mm)	L (mm)	Box Qty
STHT84396-8	6-1/2" Long Nose Locking Pliers	45	37	165	6

## WELDING LOCKING PLIERS

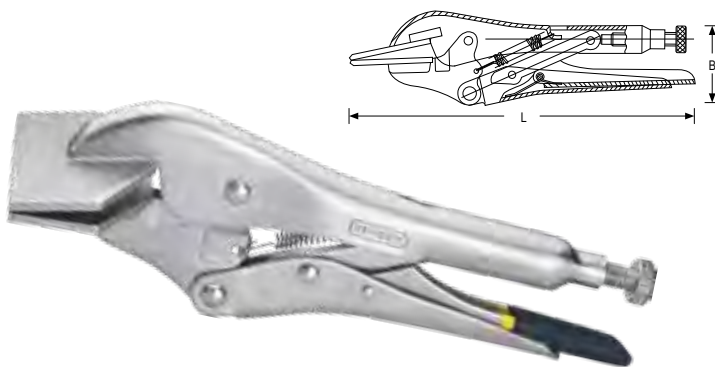


- Chrome plating is corrosion resistant
- Forged and machined jaws for maximum durability
- Screws adjust the jaws and the clamping pressure amount for precision
- Safety and ease when opening



SKU #	Description	B (mm)	L (mm)	Box Qty
STHT84397-8	9" Welding Locking Pliers	37.8	228	4

## SHEET METAL LOCKING PLIERS

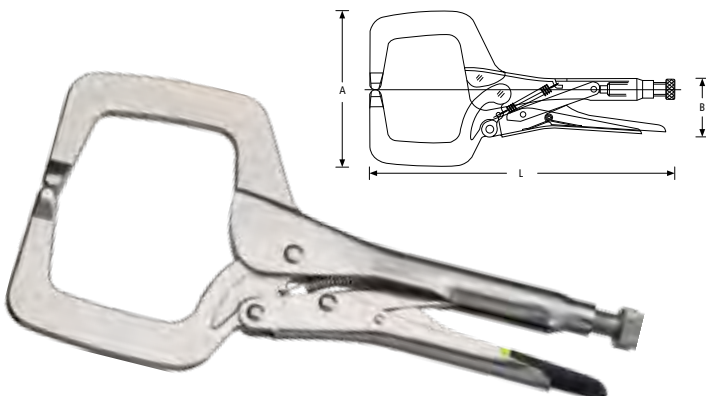


- Chrome plating is corrosion resistant
- Forged and machined jaws for maximum durability
- Screws adjust the jaws and the clamping pressure amount for precision
- Safety and ease when opening



SKU #	Description	B (mm)	L (mm)	Box Qty
STHT84398-8	8" Sheet Metal Locking Pliers	36.7	228	4

## C CLAMPS LOCKING PLIERS



- Chrome plating is corrosion resistant
- Forged and machined jaws for maximum durability
- Screws adjust the jaws and the clamping pressure amount for precision
- Safety and ease when opening



SKU #	Description	A (mm)	B (mm)	L (mm)	Box Qty
STHT84399-8	11" C Clamps Locking Pliers	138	47.2	279	6