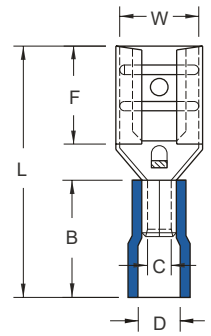


VINYL-INSULATED FEMALE DISCONNECTORS



MAXIMUM ELECTRIC CURRENT:

A.W.G.	22	20	18	16	14	12	10
AMP.	3	4	7	10	15	20	24

MAXIMUM ELECTRICAL RATING: 75°C 300 VOLTS MAX.

INSULATION MATERIAL: VINYL TERMINAL MATERIAL: BRASS

INSULATION COLOR:

22-16 A.W.G.: RED 16-14 A.W.G.: BLUE 12-10 A.W.G.: YELLOW

TERMINAL BARREL I.D.:

22-16 A.W.G.: C=1.7mm 16-14 A.W.G.: C=2.3mm 12-10 A.W.G.: C=3.4mm

WIRE RANGE A.W.G. mm ²	ITEM NO.	NEMA TAB	DIMENSION ^{inch} / _{mm}						CRIMPING TOOL	Q'TY BOX		
			W	F	L	B	D	T				
22-16 A.W.G. 0.5-1.5 mm ²	FDV1-110(5)	.020×.110 (0.5×2.8)	.126 3.2	.256 6.5	.732 18.6	.394 10.0	.157 4.0	.012 0.3	K.S. MODEL KST2000C WITH DIE INDEX COLOR:RED	1000		
	FDV1-110(8)	.032×.110 (0.8×2.8)										1000
	FDV1-187(5)	.020×.187 (0.5×4.75)	.197 5.0	.252 6.4	.748 19.0							1000
	FDV1-187(8)	.032×.187 (0.8×4.75)										1000
	FDV1-205(5)	.020×.205 (0.5×5.2)	.224 5.7	.228 5.8	.728 18.5						1000	
	FDV1-205(8)	.032×.205 (0.8×5.2)									1000	
	FDV1-250	.032×.250 (0.8×6.35)	.260 6.6	.295 7.5	.807 20.5						1000	
	FDV1-312	.032×.315 (0.8×8.0)	.323 8.2	.394 10.0	.953 24.2						1000	
16-14 A.W.G. 1.5-2.5 mm ²	FDV2-110(5)	.020×.110 (0.5×2.8)	.126 3.2	.256 6.5	.732 18.6	.394 10.0	.177 4.5	.012 0.3	K.S. MODEL KST2000C WITH DIE INDEX COLOR:BLUE	1000		
	FDV2-110(8)	.032×.110 (0.8×2.8)										1000
	FDV2-187(5)	.020×.187 (0.5×4.75)	.197 5.0	.252 6.4	.748 19.0							1000
	FDV2-187(8)	.032×.187 (0.8×4.75)									1000	
	FDV2-205(5)	.020×.205 (0.8×5.2)	.224 5.7	.228 5.8	.728 18.5						1000	
	FDV2-205(8)	.032×.205 (0.8×5.2)									1000	
	FDV2-250	.032×.250 (0.8×6.35)	.260 6.6	.295 7.5	.807 20.5						1000	
	FDV2-312	.032×.315 (0.8×8.0)	.323 8.2	.394 10.0	.953 24.2						1000	
	FDV2-375	.047×.370 (1.2×9.4)	.394 10.0	.472 12.0	1.004 25.5						1000	
12-10 A.W.G. 4-6 mm ²	FDV5-110(5)	.020×.110 (0.5×2.8)	.126 3.2	.256 6.5	.866 22.0	.512 13.0	.512 5.5	.014 0.35	K.S. MODEL KST2000C WITH DIE INDEX COLOR:YELLOW	500		
	FDV5-110(8)	.032×.110 (0.8×2.8)										
	FDV5-187(5)	.020×.187 (0.5×4.75)	.197 5.0								500	
	FDV5-187(8)	.032×.187 (0.8×4.75)								500		
	FDV5-250	.032×.250 (0.8×6.35)	.260 6.6	.295 7.5	.925 23.5						500	
	FDV5-312	.032×.315 (0.8×8.0)	.323 8.2	.394 10.0	1.063 27.0						500	
	FDV5-375	.047×.370 (1.2×9.4)	.394 10.0	.472 12.0	1.122 28.5						500	



ALL LISTED

⊙: NOT UL AND C-UL LISTED

VINYL - INSULATED MALE DISCONNECTORS

MAXIMUM ELECTRIC CURRENT:

A.W.G.	22	20	18	16	14	12	10
AMP.	3	4	7	10	15	20	24

MAXIMUM ELECTRICAL RATING: 75°C 300 VOLTS MAX.

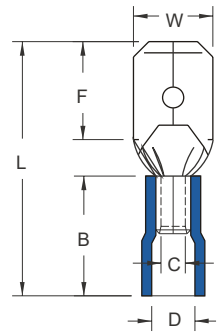
INSULATION MATERIAL: VINYL TERMINAL MATERIAL: BRASS

INSULATION COLOR:

22-16 A.W.G.: RED 16-14 A.W.G.: BLUE 12-10 A.W.G.: YELLOW

TERMINAL BARREL I.D.:

22-16 A.W.G.: C=1.7mm 16-14 A.W.G.: C=2.3mm 12-10 A.W.G.: C=3.4mm



WIRE RANGE A.W.G. mm ²	ITEM NO.	NEMA TAB	DIMENSION ^{inch} / _{mm}							CRIMPING TOOL	Q'TY BOX
			W	F	L	B	D	T			
22-16 A.W.G. 0.5-1.5 mm ²	MDV1-110(5)	.020×.110 (0.5×2.8)	.110 2.8	.256 6.5	.728 18.5	.394 10.0	.157 4.0	.020 0.5	K.S.MODEL KST2000C WITH DIE INDEX COLOR:RED	1000	
	MDV1-110(8)	.032×.110 (0.8×2.8)			.748 19.0					.016 0.4	1000
	MDV1-187(5)	.020×.187 (0.5×4.75)	.189 4.8	.264 6.7	.020 0.5					1000	
	MDV1-187(8)	.032×.187 (0.8×4.75)			.016 0.4					1000	
	MDV1-250	.032×.250 (0.8×6.35)	.250 6.35	.303 7.7	.827 21.0					.016 0.4	1000
16-14 A.W.G. 1.5-2.5 mm ²	MDV2-110(5)	.020×.110 (0.5×2.8)	.110 2.8	.256 6.5	.728 18.5	.394 10.0	.177 4.5	.020 0.5	K.S.MODEL KST2000C WITH DIE INDEX COLOR:BLUE	1000	
	MDV2-110(8)	.032×.110 (0.8×2.8)			.748 19.0					.016 0.4	1000
	MDV2-187(5)	.020×.187 (0.5×4.75)	.189 4.8	.264 6.7	.020 0.5					1000	
	MDV2-187(8)	.032×.187 (0.8×4.75)			.016 0.4					1000	
	MDV2-250	.032×.250 (0.8×6.35)	.250 6.35	.303 7.7	.827 21.0					.016 0.4	1000
12-10 A.W.G. 4-6 mm ²	MDV5-250	.032×.250 (0.8×6.35)	.250 6.35	.303 7.7	.945 24.0	.512 13.0	.217 5.5	.016 0.4	K.S.MODEL KST2000C WITH DIE INDEX COLOR:YELLOW	500	

VINYL - INSULATED PIGGY BACK DISCONNECTORS

MAXIMUM ELECTRIC CURRENT:

A.W.G.	22	20	18	16	14	12	10
AMP.	3	4	7	10	15	20	24

MAXIMUM ELECTRICAL RATING: 75°C 300 VOLTS MAX.

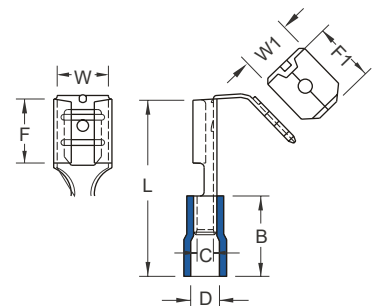
INSULATION MATERIAL: VINYL TERMINAL MATERIAL: BRASS

INSULATION COLOR:

22-16 A.W.G.: RED 16-14 A.W.G.: BLUE 12-10 A.W.G.: YELLOW

TERMINAL BARREL I.D.:

22-16 A.W.G.: C=1.7mm 16-14 A.W.G.: C=2.3mm 12-10 A.W.G.: C=3.4mm



WIRE RANGE A.W.G. mm ²	ITEM NO.	NEMA TAB	DIMENSION ^{inch} / _{mm}								CRIMPING TOOL	Q'TY BOX
			W	W1	F	F1	L	B	D	T		
22-16 A.W.G. 0.5-1.5 mm ²	PBDV1-250	.032×.250 (0.8×6.35)	.260 6.6	.250 6.35	.315 8.0	.323 8.2	.866 22.0	.394 10.0	.157 4.0	.016 0.4	K.S.MODEL KST2000C WITH DIE INDEX COLOR:RED	1000
16-14 A.W.G. 1.5-2.5 mm ²	PBDV2-250	.032×.250 (0.8×6.35)	.260 6.6	.250 6.35	.315 8.0	.323 8.2	.866 22.0	.394 10.0	.177 4.5	.016 0.4	K.S.MODEL KST2000C WITH DIE INDEX COLOR:BLUE	1000
12-10 A.W.G. 4-6 mm ²	PBDV5-250	.032×.250 (0.8×6.35)	.260 6.6	.250 6.35	.315 8.0	.323 8.2	.945 24.0	.512 13.0	.217 5.5	.016 0.4	K.S.MODEL KST2000C WITH DIE INDEX COLOR:YELLOW	500