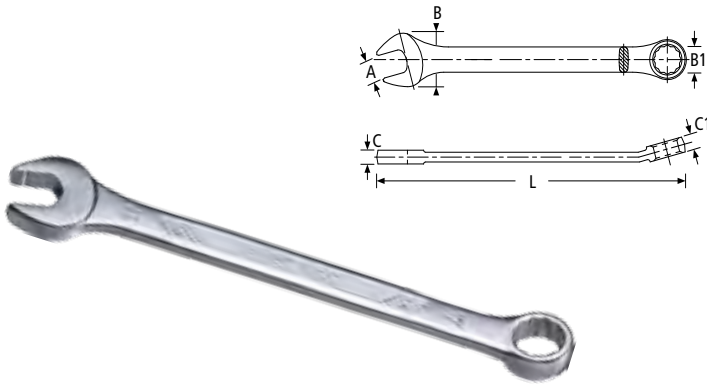


COMBINATION WRENCH (CWF)



- ASME B107.17M, ASME B107.100, ASME B107.6
- Maxi-Drive™ system helps reduce fastener rounding
- Anti-slip design on open-end
- large design
- Matt finishing
- Chrome vanadium steel
- 12-point ring angled at 15°

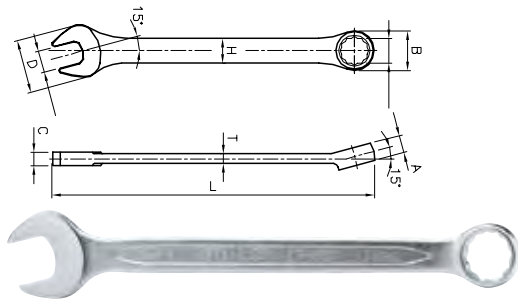


Retail SKU #	Bulk SKU #	Description	A (mm)	L (mm)	B (mm)	B1 (mm)	C (mm)	Cl (mm)	Weight (kg)	Box Qty
STMT72803-8	STMT72803-8B	Combination Wrench 6 mm	6	101	15.6	11.5	4.5	6.2	0.022	10
STMT72804-8	STMT72804-8B	Combination Wrench 7 mm	7	108	17.3	11.5	4.7	6.6	0.026	10
STMT72805-8	STMT72805-8B	Combination Wrench 8 mm	8	111	19.6	13.9	4.9	6.7	0.031	10
STMT72806-8	STMT72806-8B	Combination Wrench 9 mm	9	123	20.8	16.2	5.1	7.1	0.039	10
STMT72807-8	STMT72807-8B	Combination Wrench 10 mm	10	131	22	16.2	5.5	7.4	0.045	10
STMT72808-8	STMT72808-8B	Combination Wrench 11 mm	11	147	24.2	17.9	6.3	7.9	0.064	10
STMT72809-8	STMT72809-8B	Combination Wrench 12 mm	12	155	25.7	19	6.5	8.3	0.074	10
STMT72810-8	STMT72810-8B	Combination Wrench 13 mm	13	164	27.2	20.3	7.1	8.7	0.087	10
STMT72811-8	STMT72811-8B	Combination Wrench 14 mm	14	182	30.8	22.3	7.7	9.2	0.124	10
STMT72812-8	STMT72812-8B	Combination Wrench 15 mm	15	192	32.4	23.5	8.0	9.7	0.140	10
STMT72813-8	STMT72813-8B	Combination Wrench 16 mm	16	202	34	24.7	8.2	10.3	0.159	10
STMT72814-8	STMT72814-8B	Combination Wrench 17 mm	17	223	37.8	26.9	8.6	10.7	0.193	10
STMT72815-8	STMT72815-8B	Combination Wrench 18 mm	18	234	39.3	28.2	8.8	11.3	0.222	10
STMT72816-8	STMT72816-8B	Combination Wrench 19 mm	19	246	40.8	29.2	9.0	11.8	0.238	10
STMT72817-8	STMT72817-8B	Combination Wrench 20 mm	20	258	42.2	30.5	9.2	12.2	0.263	10
STMT72818-8	STMT72818-8B	Combination Wrench 21 mm	21	271	43.6	31.8	9.5	12.6	0.294	10
STMT72819-8	STMT72819-8B	Combination Wrench 22 mm	22	296	46	33.8	10.0	13.1	0.361	5
STMT72820-8	STMT72820-8B	Combination Wrench 23 mm	23	308	47.5	34.9	10.4	13.5	0.385	5
STMT72821-8	STMT72821-8B	Combination Wrench 24 mm	24	321	49	36	10.8	13.9	0.435	5
-	STMT72822-8B	Combination Wrench 25 mm	27	343	52	38.1	11.5	14.6	0.516	5
-	STMT72823-8B	Combination Wrench 26 mm	30	343	52	38.1	11.5	14.6	0.506	5
-	STMT72824-8B	Combination Wrench 27 mm	32	375	56	40.5	12.5	15.7	0.516	5
-	STMT72825-8B	Combination Wrench 28 mm	28	395	58	42.8	13.2	16.7	0.723	5
-	STMT72826-8B	Combination Wrench 29 mm	29	395	58	42.8	13.2	16.7	0.72	5
-	STMT72827-8B	Combination Wrench 30 mm	30	395	58	42.8	13.2	16.7	0.703	5
-	STMT72828-8B	Combination Wrench 32 mm	32	429	65.7	47.4	14.0	18.7	0.963	5



“ THE PATENTED ANTI-SLIP FEATURE ON THE COMBINATION WRENCH HAS DEFINITELY SAVED MY KNUCKLES MORE TIMES THAN I CAN COUNT. THOSE IN OUR INDUSTRY KNOW HOW IMPORTANT THIS INJURY-PROOF CHARACTERISTIC IS. ”

SLIMLINE COMBINATION WRENCH

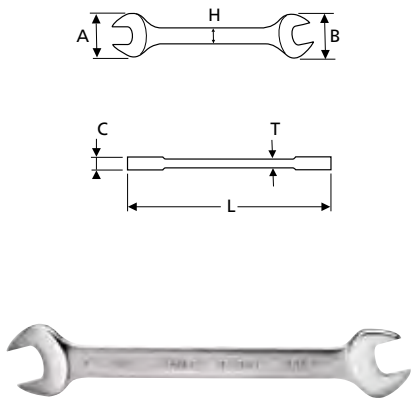


- Made of Chrome Vanadium Steel
- Both the open ended head and the ring are angled at 15° for optimum accessibility
- Nickel chrome plating protects against corrosion
- Slim pattern
- MaxiDrive™ and anti-slip open ended jaw shape maintains grip on fastener with only slight rotational pressure
- Anti-slip feature

SKU #	Size	L mm	A mm	B mm	C mm	D mm	H mm	T mm	Box/CTN
87-660-1	1/4"	100.0	4.7	10.1	4.0	15.5	7.1	2.7	6/72
87-661-1	5/16"	120.0	5.5	12.8	4.5	19.2	8.4	3.0	6/90
87-662-1	3/8"	140.0	6.5	15.6	5.0	23.2	9.6	3.5	6/72
87-663-1	7/16"	150.0	6.9	16.9	5.4	25.3	10.4	3.7	6/90
87-664-1	1/2"	170.0	7.8	19.7	5.9	29.4	12.1	4.1	6/90
87-665-1	9/16"	180.0	8.3	21.2	6.2	31.5	12.9	4.4	6/54
87-666-1	5/8"	200.0	8.9	24.0	6.7	34.7	13.9	4.8	6/54
87-667-1	11/16"	210.0	9.3	25.3	6.9	36.5	14.6	5.0	6/54
87-668-1	3/4"	230.0	10.5	28.1	7.4	40.7	15.9	5.4	6/60
87-669-1	13/16"	250.0	11.3	31.3	8.0	44.8	17.3	5.7	4/24
87-670-1	7/8"	260.0	11.5	32.6	8.2	46.9	18.0	5.8	4/24
87-671-1	15/16"	280.0	12.1	35.5	8.7	50.4	19.5	6.0	4/24
87-672-1	1"	290.0	12.5	36.9	8.9	52.0	20.1	6.2	4/24
87-673-1	1-1/16"	310.0	13.1	39.6	9.4	55.7	21.8	6.6	4/24
87-674-1	1-1/8"	330.0	13.3	40.9	9.7	57.6	22.5	6.8	2/12
87-675-1	1-1/4"	360.0	14.3	46.4	10.4	65.8	24.8	7.3	2/12

SKU #	Size	L mm	A mm	B mm	C mm	D mm	H mm	T mm	Box /CTN
87-424-1	5	95.0	4.1	8.9	3.5	13.6	6.2	2.4	6/72
87-429-1	5.5	95.0	4.1	8.9	3.5	13.6	6.2	2.4	6/72
87-066	6	100.0	4.7	10.1	4.0	15.5	7.1	2.7	6/72
87-057	7	110.0	5.0	11.5	4.0	17.0	7.8	2.8	6/90
87-058	8	120.0	5.5	12.8	4.5	19.2	8.4	3.0	6/90
87-069	9	130.0	5.9	14.2	4.5	21.2	9.0	3.3	6/72
87-070	10	140.0	6.5	15.6	5.0	23.2	9.6	3.5	6/72
87-071	11	150.0	6.9	16.9	5.4	25.3	10.4	3.7	6/72
87-072	12	160.0	7.3	18.3	5.5	27.2	11.3	3.9	6/72
87-073	13	170.0	7.8	19.7	5.9	29.4	12.1	4.1	6/54
87-074	14	180.0	8.3	21.2	6.2	31.5	12.9	4.4	6/54
87-075	15	190.0	8.6	22.5	6.4	33.2	13.5	4.6	6/54
87-076	16	200.0	8.9	24.0	6.7	34.7	13.9	4.8	6/54
87-077	17	210.0	9.3	25.3	6.9	36.5	14.6	5.0	6/54
87-078	18	220.0	9.9	26.8	7.2	38.7	15.3	5.2	6/54
87-079	19	230.0	10.5	28.1	7.4	40.7	15.9	5.4	6/60
87-080	20	240.0	10.9	29.7	7.7	43.1	16.8	5.6	4/24
87-081	21	250.0	11.3	31.3	8.0	44.8	17.3	5.7	4/24
87-082	22	260.0	11.5	32.6	8.2	46.9	18.0	5.8	4/24
87-083	23	270.0	11.8	34.2	8.4	48.3	18.7	5.9	4/24
87-084	24	280.0	12.1	35.5	8.7	50.4	19.5	6.0	4/24
87-085-1	25	290.0	12.5	36.9	8.9	52.0	20.1	6.2	4/24
87-086-1	26	300.0	12.8	38.2	9.2	53.6	21.0	6.4	4/24
87-087	27	310.0	13.1	39.6	9.4	55.7	21.8	6.6	4/24
87-088-1	28	320.0	13.3	40.9	9.7	57.6	22.5	6.8	2/12
87-089-1	29	330.0	13.5	42.3	9.9	59.7	23.3	7.0	2/12
87-090	30	340.0	13.7	43.7	10.1	61.8	23.9	7.1	2/12
87-092	32	360.0	14.3	46.4	10.4	65.8	24.8	7.3	2/12
87-263	33	408.0	14.5	11.0	48.0	62	23.0	11.0	1/30
87-264	34	408.0	14.5	11.0	48.0	62	23.0	11.0	1/25
87-265	35	430.0	17.0	15.0	56.5	70	26.0	12.0	1/25
87-266	36	430.0	17.0	15.0	56.5	70	26.0	12.0	1/25
87-268	38	460.0	17.0	15.0	56.5	70	26.0	12.0	1/20
87-271	41	490.0	19.0	16.5	65.0	83	29.0	14.0	1/15
87-272	42	490.0	19.0	16.5	65.0	83	29.0	14.0	1/15
87-276	46	540.0	19.0	16.5	65.0	83	29.0	14.0	1/15
87-278	48	563.0	24.0	19.0	72.5	94	35.0	15.0	1/10
87-280	50	587.0	24.0	19.0	72.5	94	35.0	15.0	1/10

OPEN END WRENCH

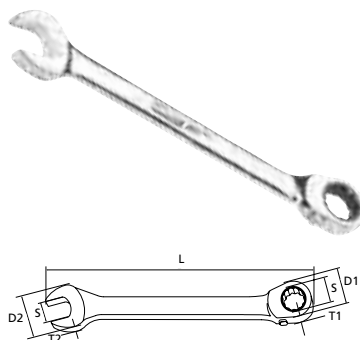


- Made of Chrome Vanadium Steel
- Ends are slanted 15° for quick operation
- Two sizes per wrench
- Anti-slip feature

SKU #	Size	L mm	A mm	B mm	C mm	H mm	T mm	Weight (g)	Box/CTN
87-096-1	6x7	122.0	16.2	18.1	3.3	8.6	2.2	25	6/90
87-097-1	8x9	140.0	20.2	22.2	3.6	10.7	2.5	35	6/120
84-758	8x10	140.0	20.2	22.2	3.6	10.7	2.5	43	20/500
87-098-1	10x11	156.0	23.6	25.6	4.6	11.7	3.0	50	20/200
84-759	10x12	156.0	23.6	25.6	4.6	11.7	3.0	63	20/200
87-099-1	12x13	172.0	27.4	28.6	5.1	12.7	3.4	75	20/200
84-760	12x14	180.0	28.6	31.6	5.1	13.7	3.8	90	20/200
87-100-1	14x15	188.0	31.5	34.0	5.6	14.2	3.8	105	20/200
84-764	14x17	188.0	31.5	34.0	5.6	14.2	3.8	130	20/200
87-101-1	16x17	204.0	36.1	38.4	6.1	15.8	4.3	155	20/100
84-765	17x19	220.0	38.6	42.1	6.5	16.8	4.7	173	12/120
87-102-1	18x19	220.0	38.6	42.1	6.5	16.8	4.7	190	12/120
84-766	19x21	234.0	42.0	46.1	7.2	18.3	4.8	205	12/60
87-103-1	20x22	234.0	42.0	46.1	7.2	18.3	4.8	220	12/60
87-104-1	21x23	247.0	45.4	48.6	7.5	19.3	4.8	245	12/60
84-767	22x24	247.0	45.4	48.6	7.5	19.3	4.8	275	12/60
87-105-1	24x27	266.0	50.8	56.3	8.2	20.8	5.4	305	4/32
87-106-1	25x28	285.0	53.8	62.3	8.4	22.4	5.6	340	2/36
87-107-1	30x32	302.0	60.3	65.3	9.1	24.4	6.1	465	2/32

SKU #	Size	L mm	A mm	B mm	C mm	H mm	T mm	Weight (g)	Box/CTN
87-676-1	1/4"x5/16"	123.0	15.5	18.0	3.7	8.0	2.9	25	6/72
87-677-1	5/16"x3/8"	140.0	20.4	22.7	4.0	10.2	3.1	35	6/120
87-678-1	3/8"x7/16"	156.0	24.9	27.1	5.0	11.7	3.4	50	6/72
87-679-1	7/16"x1/2"	172.0	29.2	31.2	5.5	13.1	3.8	75	6/90
87-705-1	1/2"x9/16"	180.0	31.3	33.3	5.5	14.0	4.0	85	6/90
87-680-1	9/16"x5/8"	188.5	33.3	35.3	5.9	14.8	4.1	105	6/48
87-681-1	5/8"x11/16"	204.0	37.1	38.9	6.3	15.6	4.4	155	6/54
87-682-1	11/16"x3/4"	221.0	40.9	42.8	6.7	16.6	4.6	190	6/24
87-683-1	13/16"x7/8"	237.0	44.8	48.8	7.1	18.5	4.9	220	6/48
87-706-1	15/16"x1"	255.0	50.8	56.8	7.9	21.4	5.3	270	4/32
87-684-1	15/16"x1-1/16"	263.0	52.8	59.1	8.1	22.1	5.4	305	4/24
87-685-1	1"x1-1/8"	279.0	54.8	61.3	8.5	23.0	5.7	340	2/12
87-686-1	1-1/8"x1-1/4"	298.0	65.4	69.8	9.0	24.6	6.0	465	2/12

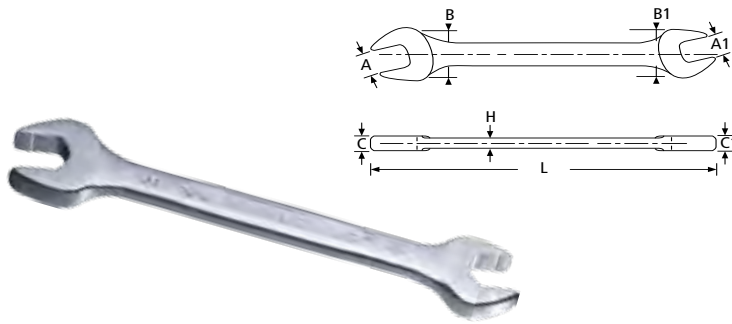
OPEN END WRENCH



- Chrome-vanadium special heat-treat provides a strong thin wall
- 72-teeth ratcheting system provides high torque and 5° of operation in tight areas
- An unique 15° offset design enables access to countersink bolts
- Worldwide patent

SKU #	Size	D1 mm	D2 mm	T1 mm	T2 mm	L mm	Box/CTN
79-064-S	8	18.0	17.0	7.4	4.7	144	10/100
79-065-S	9	19.5	18.8	7.4	5.3	150	10/100
79-066-S	10	21.0	21.7	8.4	5.7	158	10/100
79-067	11	22.0	23.0	8.4	6.1	165	10/100
79-068-S	12	23.5	25.2	8.4	6.4	173	10/100
79-069-S	13	25.0	26.5	8.4	6.6	182	10/100
79-070-S	14	26.5	29.5	8.4	7.3	190	10/100
79-071	15	28.0	31.3	8.4	7.5	202	10/100
79-072	16	29.0	33.4	10.0	7.7	215	10/100
79-073	17	30.5	36.3	10.0	7.9	229	10/100
79-074	18	32.0	38.0	11.5	8.4	240	10/100
79-075	19	34.0	39.0	11.5	8.7	252	10/100

DOUBLE OPEN-END WRENCH

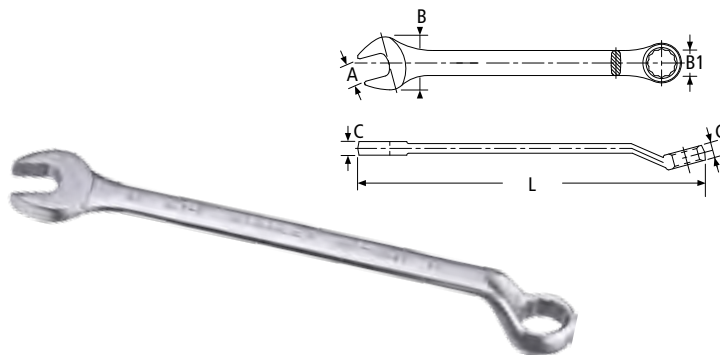


- ASME B107.17M, ASME B107.100, ASME B107.39
- Anti-slip design on open-end
- Matt finishing
- Chrome Vanadium steel



Retail SKU #	Bulk SKU #	Description	A (mm)	A1 (mm)	L (mm)	B (mm)	B1 (mm)	C (mm)	C1 (mm)	Weight (kg)	Box Qty
STMT72837-8	STMT72837-8B	Open-End Wrench 6X7 mm	6	7	108.2	14.4	17.3	5.0	5.3	0.024	10
STMT72838-8	STMT72838-8B	Open-End Wrench 7X9 mm	7	9	128.2	17.7	19.8	5.4	5.7	0.035	10
STMT72839-8	STMT72839-8B	Open-End Wrench 8X10 mm	8	10	128.8	17.7	19.8	5.4	5.7	0.035	10
STMT72840-8	STMT72840-8B	Open-End Wrench 10X12 mm	10	12	133.0	21.1	24.4	5.9	6.2	0.051	10
STMT72841-8	STMT72841-8B	Open-End Wrench 10X11 mm	10	11	133.0	21.1	24.4	5.9	6.2	0.051	10
STMT72842-8	STMT72842-8B	Open-End Wrench 11X13mm	11	13	146.2	24.8	27.8	6.6	6.9	0.075	10
STMT72843-8	STMT72843-8B	Open-End Wrench 12X14 mm	12	14	156.8	27.8	31.1	7.8	8.2	0.110	10
STMT72844-8	STMT72844-8B	Open-End Wrench 12X13 mm	12	13	146.2	24.8	27.8	6.6	6.9	0.075	10
STMT72845-8	STMT72845-8B	Open-End Wrench 14X15 mm	14	15	179.0	31.1	34.4	7.8	8.2	0.133	10
STMT72846-8	STMT72846-8B	Open-End Wrench 14X17mm	14	17	179.0	31.1	34.4	7.8	8.2	0.133	10
STMT72847-8	STMT72847-8B	Open-End Wrench 16X17mm	16	17	198.1	34.4	37.8	8.3	8.7	0.176	10
STMT72848-8	STMT72848-8B	Open-End Wrench 18X19mm	18	19	221.9	37.8	41.1	8.6	9.0	0.218	10
STMT72849-8	STMT72849-8B	Open-End Wrench 17X19 mm	17	19	221.9	37.8	41.1	8.6	9.0	0.219	10
STMT72850-8	STMT72850-8B	Open-End Wrench 19X21mm	19	21	237.7	41.1	47.8	10.0	10.4	0.317	10
STMT72851-8	STMT72851-8B	Open-End Wrench 20X22 mm	20	22	237.7	41.1	47.8	10.0	10.4	0.315	10
STMT72852-8	STMT72852-8B	Open-End Wrench 21X23 mm	21	23	253.2	44.4	47.8	10.5	10.9	0.353	10
STMT72853-8	STMT72853-8B	Open-End Wrench 22X24 mm	22	24	253.2	44.4	47.8	10.5	10.9	0.351	10
-	STMT72854-8B	Open-End Wrench 24X26 mm	24	26	271.9	51.1	52.8	10.9	11.3	0.452	5
-	STMT72856-8B	Open-End Wrench 27X32mm	27	32	340.0	56.0	67.0	12.6	13.0	0.745	5

OFFSET COMBINATION WRENCH

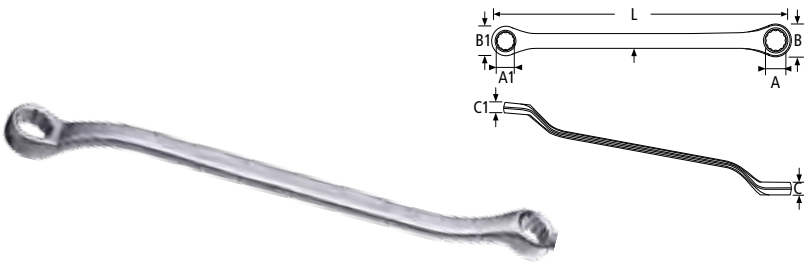


- DIN 3133 B, DIN 17350, ISO 1711
- Chrome vanadium steel
- Matt finishing
- 70° Off-set



SKU #	Description	A (mm)	L (mm)	B (mm)	B' (mm)	C (mm)	C' (mm)	Weight (kg)	Box Qty
86-0430	Offset Combination Wrench 30mm	30	382.5	61.5	42	9.9	14.4	0.630	2
86-0432	Offset Combination Wrench 32mm	32	404	66	44.5	10.1	15.2	0.779	2
86-0436	Offset Combination Wrench 36mm	36	449	76	53.1	13.1	21.8	1.390	2

OFFSET DOUBLE RING WRENCH

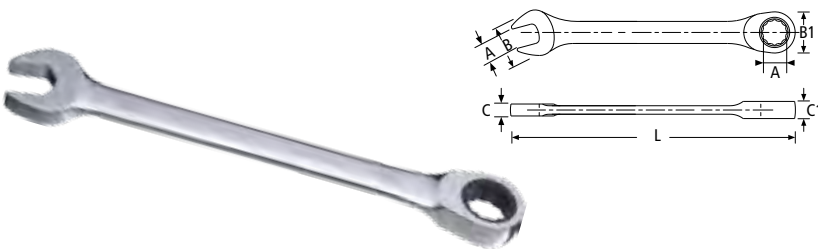


- ASME B107.17M, ASME B107.100, ASME, B107.9
- Maxi-Drive™ system helps reduce fastener rounding
- Matt finishing
- Chrome vanadium steel
- 45° Off-set



Retail SKU #	Bulk SKU #	Description	Size (mm)	L (mm)	A (mm)	A1 (mm)	B (mm)	B1 (mm)	C (mm)	C1 (mm)	Weight (kg)	Box Qty
STMT72857-8	STMT72857-8B	Offset Double Ring Wrench - 6x7	6x7	161.8	6.1	8	11	11.8	6.2	6.2	0.04	10
STMT72858-8	STMT72858-8B	Offset Double Ring Wrench - 8x9	8x9	178.8	8	9.5	13.6	14.4	6.7	6.7	0.05	10
STMT72859-8	STMT72859-8B	Offset Double Ring Wrench - 8x10	8x10	178.8	8	9.5	13.6	14.4	6.7	6.7	0.05	10
STMT72860-8	STMT72860-8B	Offset Double Ring Wrench - 10x12	10x12	195.8	9.5	11	15.5	17.9	7.2	7.2	0.07	10
STMT72861-8	STMT72861-8B	Offset Double Ring Wrench - 11x13	11x13	214.8	11	12.6	17.9	20.3	8.3	8.3	0.10	10
STMT72862-8	STMT72862-8B	Offset Double Ring Wrench - 12x14	12x14	230.8	12.6	14	20.3	23.2	9.5	9.5	0.12	10
STMT72863-8	STMT72863-8B	Offset Double Ring Wrench - 14x15	14x15	246.8	14	15.8	23.2	24.8	10.3	10.3	0.17	10
STMT72864-8	STMT72864-8B	Offset Double Ring Wrench - 14x17	14x17	246.8	14	15.8	23.2	24.8	10.3	10.3	0.15	10
STMT72865-8	STMT72865-8B	Offset Double Ring Wrench - 16x17	16x17	255.8	15.8	17.2	24.6	26.1	10.8	10.8	0.18	10
STMT72867-8	STMT72867-8B	Offset Double Ring Wrench - 18x19	18x19	295.8	17.2	19	26.1	28.5	12.2	12.2	0.26	5
STMT72868-8	STMT72868-8B	Offset Double Ring Wrench - 19x21	19x21	310.8	19	22.1	28.5	33.4	17	17	0.33	5
STMT73575-8	STMT73575-8B	Offset Double Ring Wrench - 21x23	21x23	320.8	20.7	22.1	30.7	33.4	18	18	0.39	5
STMT72869-8	STMT72869-8B	Offset Double Ring Wrench - 22x24	22x24	320.8	20.7	22.1	30.7	33.4	18	18	0.38	5
-	STMT72870-8B	Offset Double Ring Wrench - 24x27	24x27	350.8	23.7	25.4	35.1	36.8	20	20	0.48	5

RATCHETING WRENCH



- ISO 1711-1, ISO 691, DIN 3113
- Maxi-Drive™ system helps reduce fastener rounding
- 5° increment
- Chrome vanadium steel
- Full polished finishing



SKU #	Description	Jaw (mm)	L (mm)	B (mm)	B1 (mm)	C (mm)	C1 (mm)	Weight (kg)	Box Qty
STMT89934-8B	Ratcheting Wrench 8 mm	8	111.6	19.4	16.8	19.4	7	0.028	10
STMT89935-8B	Ratcheting Wrench 9 mm	9	123.6	20.7	19	20.6	7.3	0.04	10
STMT89936-8B	Ratcheting Wrench 10 mm	10	131.2	21.9	20	21.7	7.8	0.048	10
STMT80012-8B	Ratcheting Wrench 11 mm	11	148.2	24.2	20.8	24.3	8.2	0.062	10
STMT89937-8B	Ratcheting Wrench 12 mm	12	155.2	25.7	23	25.4	8.7	0.08	10
STMT89938-8B	Ratcheting Wrench 13 mm	13	162.5	27.2	25	27.2	9	0.086	10
STMT89939-8B	Ratcheting Wrench 14 mm	14	182.4	30.8	27	30.7	9.5	0.12	10
STMT89940-8B	Ratcheting Wrench 15 mm	15	192.2	32.2	28	32.1	9.9	0.134	10
STMT89941-8B	Ratcheting Wrench 16 mm	16	202.2	34	30	33.8	10.4	0.15	10
STMT89942-8B	Ratcheting Wrench 17 mm	17	222.5	37.7	31.7	37.5	10.8	0.18	10
STMT89943-8B	Ratcheting Wrench 18 mm	18	234.1	39.1	32.9	39.3	11.2	0.2	10
STMT89944-8B	Ratcheting Wrench 19 mm	19	246.1	41.3	34	40.5	11.6	0.222	10