

VINYL-INSULATED MALE DISCONNECTORS

MAXIMUM ELECTRIC CURRENT:

A.W.G.	22	20	18	16	14	12	10
AMP.	3	4	7	10	15	20	24

MAXIMUM ELECTRICAL RATING: 75°C 300 VOLTS MAX.

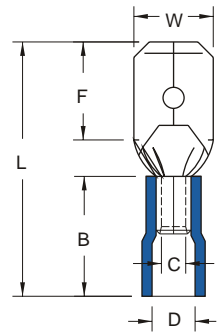
INSULATION MATERIAL: VINYL TERMINAL MATERIAL: BRASS

INSULATION COLOR:

22-16 A.W.G.: RED 16-14 A.W.G.: BLUE 12-10 A.W.G.: YELLOW

TERMINAL BARREL I.D.:

22-16 A.W.G.: C=1.7mm 16-14 A.W.G.: C=2.3mm 12-10 A.W.G.: C=3.4mm



WIRE RANGE A.W.G. mm ²	ITEM NO.	NEMA TAB	DIMENSION ^{inch} / _{mm}							CRIMPING TOOL	Q'TY BOX
			W	F	L	B	D	T			
22-16 A.W.G. 0.5-1.5 mm ²	MDV1-110(5)	.020 × .110 (0.5 × 2.8)	.110 2.8	.256 6.5	.728 18.5	.394 10.0	.157 4.0	.020 0.5	K.S.MODEL KST2000C WITH DIE INDEX COLOR:RED	1000	
	MDV1-110(8)	.032 × .110 (0.8 × 2.8)			.748 19.0					.016 0.4	1000
	MDV1-187(5)	.020 × .187 (0.5 × 4.75)	.189 4.8	.264 6.7	.020 0.5					1000	
	MDV1-187(8)	.032 × .187 (0.8 × 4.75)								.016 0.4	1000
	MDV1-250	.032 × .250 (0.8 × 6.35)	.250 6.35	.303 7.7	.827 21.0					.016 0.4	1000
16-14 A.W.G. 1.5-2.5 mm ²	MDV2-110(5)	.020 × .110 (0.5 × 2.8)	.110 2.8	.256 6.5	.728 18.5	.394 10.0	.177 4.5	.020 0.5	K.S.MODEL KST2000C WITH DIE INDEX COLOR:BLUE	1000	
	MDV2-110(8)	.032 × .110 (0.8 × 2.8)			.748 19.0					.016 0.4	1000
	MDV2-187(5)	.020 × .187 (0.5 × 4.75)	.189 4.8	.264 6.7	.016 0.4					1000	
	MDV2-187(8)	.032 × .187 (0.8 × 4.75)								.016 0.4	1000
	MDV2-250	.032 × .250 (0.8 × 6.35)	.250 6.35	.303 7.7	.827 21.0					.016 0.4	1000
12-10 A.W.G. 4-6 mm ²	MDV5-250	.032 × .250 (0.8 × 6.35)	.250 6.35	.303 7.7	.945 24.0	.512 13.0	.217 5.5	.016 0.4	K.S.MODEL KST2000C WITH DIE INDEX COLOR:YELLOW	500	

VINYL-INSULATED PIGGY BACK DISCONNECTORS

MAXIMUM ELECTRIC CURRENT:

A.W.G.	22	20	18	16	14	12	10
AMP.	3	4	7	10	15	20	24

MAXIMUM ELECTRICAL RATING: 75°C 300 VOLTS MAX.

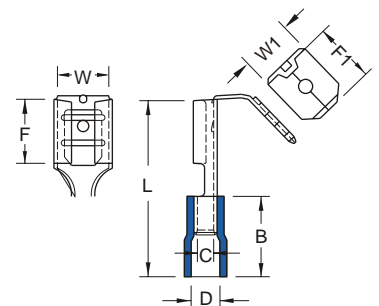
INSULATION MATERIAL: VINYL TERMINAL MATERIAL: BRASS

INSULATION COLOR:

22-16 A.W.G.: RED 16-14 A.W.G.: BLUE 12-10 A.W.G.: YELLOW

TERMINAL BARREL I.D.:

22-16 A.W.G.: C=1.7mm 16-14 A.W.G.: C=2.3mm 12-10 A.W.G.: C=3.4mm



WIRE RANGE A.W.G. mm ²	ITEM NO.	NEMA TAB	DIMENSION ^{inch} / _{mm}								CRIMPING TOOL	Q'TY BOX
			W	W1	F	F1	L	B	D	T		
22-16 A.W.G. 0.5-1.5 mm ²	PBDV1-250	.032 × .250 (0.8 × 6.35)	.260 6.6	.250 6.35	.315 8.0	.323 8.2	.866 22.0	.394 10.0	.157 4.0	.016 0.4	K.S.MODEL KST2000C WITH DIE INDEX COLOR:RED	1000
16-14 A.W.G. 1.5-2.5 mm ²	PBDV2-250	.032 × .250 (0.8 × 6.35)	.260 6.6	.250 6.35	.315 8.0	.323 8.2	.866 22.0	.394 10.0	.177 4.5	.016 0.4	K.S.MODEL KST2000C WITH DIE INDEX COLOR:BLUE	1000
12-10 A.W.G. 4-6 mm ²	PBDV5-250	.032 × .250 (0.8 × 6.35)	.260 6.6	.250 6.35	.315 8.0	.323 8.2	.945 24.0	.512 13.0	.217 5.5	.016 0.4	K.S.MODEL KST2000C WITH DIE INDEX COLOR:YELLOW	500