

DIN 46237

**NYLON-INSULATED
SPADE TERMINALS**

MAXIMUM ELECTRIC CURRENT:

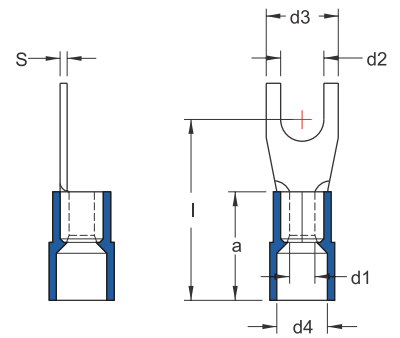
A.W.G.	26	24	22	20	18	16	14	12	10
AMP.	5.5	7	9	12	17	18	30	35	50

MAXIMUM ELECTRICAL RATING: 105°C 600 VOLTS MAX.

INSULATION MATERIAL: NYLON TERMINAL MATERIAL: COPPER

INSULATION COLOR:

26-22 A.W.G.: YELLOW 22-16 A.W.G.: RED 16-14 A.W.G.: BLUE
12-10 A.W.G.: YELLOW

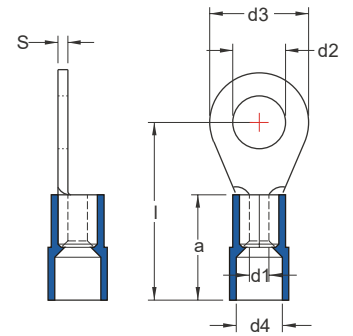


WIRE RANGE A.W.G. mm ²	ITEM NO.		STUD SIZE		DIMENSION mm						CRIMPING TOOL	Q'TY BOX
	BRAZED SEAM	BUTTED SEAM	d2		d3	l	d1	d4	a	S		
26-22 A.W.G. 0.2-0.5 mm ²	DSNYB2-0.5	DSNY2-0.5	#2	2.2	5.0	12.0	1.0	2.3	8.0	0.5	K.S. MODEL LY8-067 WITH DIE INDEX NO:0.5	1000
	DSNYB3-0.5	DSNY3-0.5	#4	3.2								1000
	DSNYB3.5-0.5	DSNY3.5-0.5	#6	3.7	6.0	1000						
	DSNYB4-0.5	DSNY4-0.5	#8	4.3	6.5	15.0						1000
	DSNYB5-0.5	DSNY5-0.5	#10	5.3	8.0	1000						
22-16 A.W.G. 0.5-1.5 mm ²	DSNYB3-1	DSNY3-1	#4	3.2	6.0	17.0	1.6	4.0	11.0	0.8	IZUMI MODEL 34 WITH DIE INDEX COLOR:RED OR K.S. MODEL KST2000A HRI-126J WITH DIE INDEX COLOR:RED	1000
	DSNYB3.5-1	DSNY3.5-1	#6	3.7								1000
	DSNYB4-1	DSNY4-1	#8	4.3	6.8	18.0						1000
	DSNYBL4-1	DSNYL4-1	#8	4.3	8.0	1000						
	DSNYB5-1	DSNY5-1	#10	5.3	10.0	19.0						1000
	DSNYB6-1	DSNY6-1	1/4	6.5	11.0	21.0						1000
16-14 A.W.G. 1.5-2.5 mm ²	DSNYB3-2.5	DSNY3-2.5	#4	3.2	5.5	19.0	2.3	4.5	11.0	0.8	IZUMI MODEL 34 WITH DIE INDEX COLOR:BLUE OR K.S. MODEL KST2000A HRI-126J WITH DIE INDEX COLOR:BLUE	1000
	DSNYB3.5-2.5	DSNY3.5-2.5	#6	3.7	6.0	17.0						1000
	DSNYB4-2.5	DSNY4-2.5	#8	4.3	6.8	18.0						1000
	DSNYBL4-2.5	DSNYL4-2.5	#8	4.3	8.0	1000						
	DSNYB5-2.5	DSNY5-2.5	#10	5.3	10.0	20.0						1000
	DSNYB6-2.5	DSNY6-2.5	1/4	6.5	11.0	22.0						1000
12-10 A.W.G. 2.5-6 mm ²	DSNYB4-6	DSNY4-6	#8	4.3	8.0	21.0	3.6	6.4	13.0	1.0	IZUMI MODEL 5 WITH DIE INDEX COLOR:YELLOW OR K.S. MODEL KST2000A HRI-126J WITH DIE INDEX COLOR:YELLOW	500
	DSNYB5-6	DSNY5-6	#10	5.3	10.0	22.0						500
	DSNYB6-6	DSNY6-6	1/4	6.5	11.0	23.0						500
	DSNYB8-6	DSNY8-6	5/16	8.4	14.0	26.0						500
	DSNYB10-6	DSNY10-6	3/8	10.5	18.0	28.0						500

ALL LISTED

DIN 46237

**PC-INSULATED
RING TERMINALS**



MAXIMUM ELECTRIC CURRENT:

A.W.G.	22	20	18	16	14
AMP.	9	12	17	18	30

MAXIMUM ELECTRICAL RATING: 125°C 600 VOLTS MAX.

INSULATION MATERIAL: PC

INSULATION COLOR:

22-16 A.W.G.: RED 16-14 A.W.G.: BLUE

TERMINAL MATERIAL: COPPER

WIRE RANGE A.W.G. mm ²	ITEM NO.		STUD SIZE		DIMENSION mm					CRIMPING TOOL	Q'TY BOX	
	BRAZED SEAM	BUTTED SEAM	d2	d2	d3	l	d1	d4	a			S
22-16 A.W.G. 0.5-1.5 mm ²	DRNIB2-1	DRNI2-1	#2	2.2	6.0	17.0	1.6	4.0	11.0	0.8	IZUMI MODEL 34 WITH DIE INDEX COLOR:RED OR K.S. MODEL KST2000A WITH DIE INDEX COLOR:RED	1000
	DRNIB2.5-1	DRNI2.5-1	#3	2.7								1000
	DRNIB3-1	DRNI3-1	#4	3.2								1000
	DRNIB3.5-1	DRNI3.5-1	#6	3.7								1000
	DRNIBS4-1	DRNIS4-1	#8	4.3	7.0	17.5						1000
	DRNIB4-1	DRNI4-1	#8	4.3	8.0	18.0						1000
	DRNIBS5-1	DRNIS5-1	#10	5.3	8.0	18.5						1000
	DRNIB5-1	DRNI5-1	#10	5.3	10.0	19.0						1000
	DRNIB6-1	DRNI6-1	1/4	6.5	10.0	19.0						1000
	DRNIBL6-1	DRNIL6-1	1/4	6.5	11.0	21.0						1000
	DRNIB8-1	DRNI8-1	5/16	8.4	14.0	23.0						1000
	DRNIB10-1	DRNI10-1	3/8	10.5	14.0	23.0						1000
DRNIBL10-1	DRNIL10-1	3/8	10.5	18.0	25.0	1000						
16-14 A.W.G. 1.5-2.5 mm ²	DRNIB3-2.5	DRNI3-2.5	#4	3.2	6.0	17.0	2.3	4.5	11.0	0.8	IZUMI MODEL 34 WITH DIE INDEX COLOR:BLUE OR K.S. MODEL KST2000A WITH DIE INDEX COLOR:BLUE	1000
	DRNIB3.5-2.5	DRNI3.5-2.5	#6	3.7								1000
	DRNIBS4-2.5	DRNIS4-2.5	#8	4.3	6.8	17.6						1000
	DRNIB4-2.5	DRNI4-2.5	#8	4.3	8.0	18.0						1000
	DRNIBS5-2.5	DRNIS5-2.5	#10	5.3	8.0	19.5						1000
	DRNIB5-2.5	DRNI5-2.5	#10	5.3	10.0	20.0						1000
	DRNIB6-2.5	DRNI6-2.5	1/4	6.5	11.0	22.0						1000
	DRNIB8-2.5	DRNI8-2.5	5/16	8.4	14.0	23.0						1000
	DRNIB10-2.5	DRNI10-2.5	3/8	10.5	15.0	23.0						1000
	DRNIBL10-2.5	DRNIL10-2.5	3/8	10.5	18.0	24.5						1000
	DRNIB12-2.5	DRNI12-2.5	1/2	13.0	18.0	26.0						1000

DIN 46237

**PC-INSULATED
RING TERMINALS**

MAXIMUM ELECTRIC CURRENT:

A.W.G.	12	10
AMP.	35	50

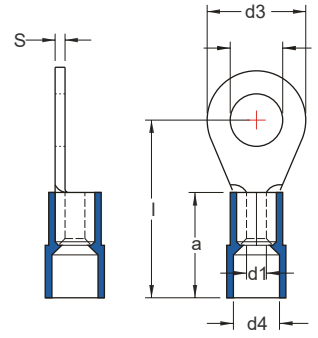
MAXIMUM ELECTRICAL RATING: 125°C 600 VOLTS MAX.

INSULATION MATERIAL: PC

INSULATION COLOR:

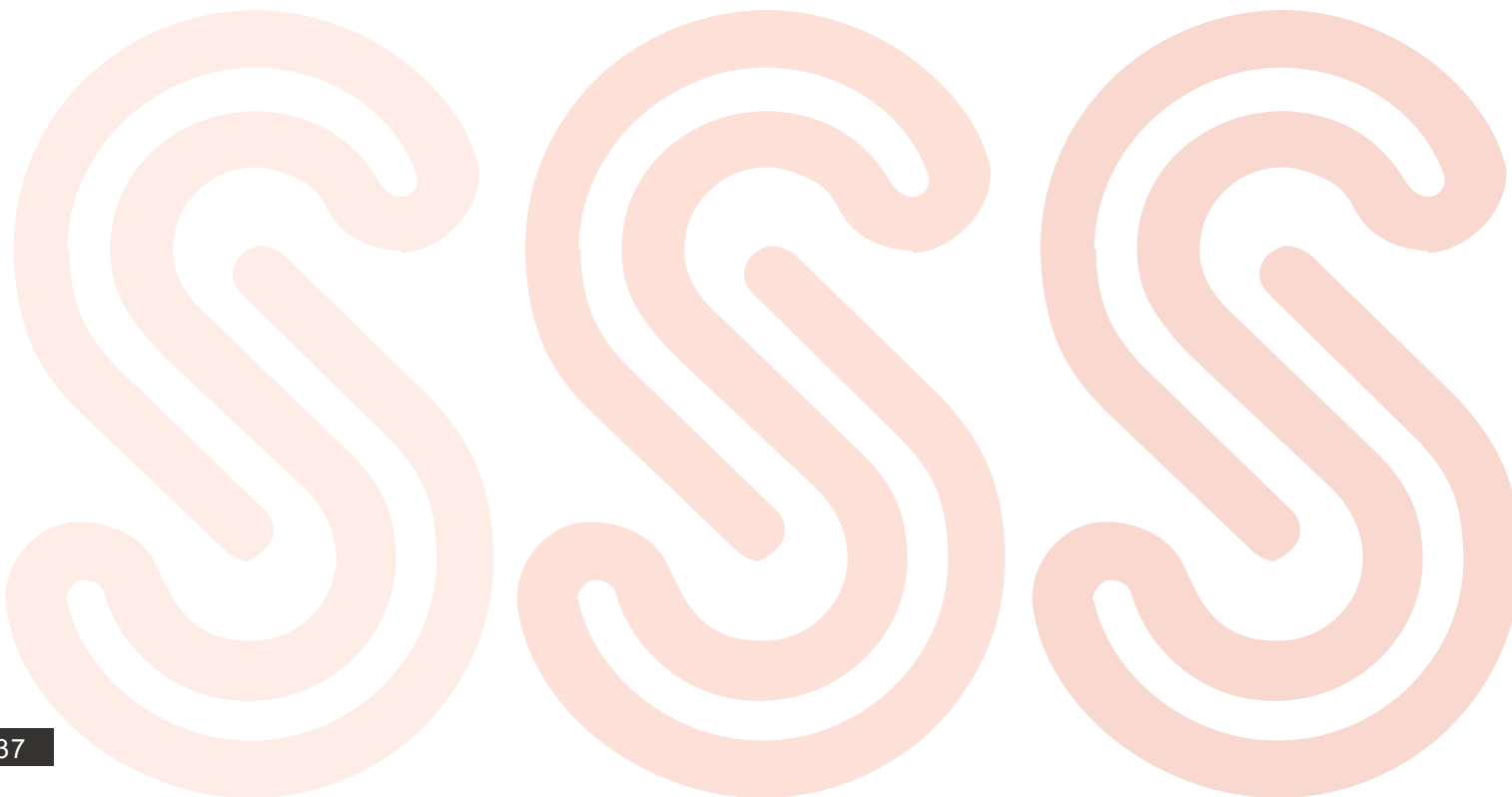
16-14 A.W.G.: BLUE 12-10 A.W.G.: YELLOW

1TERMINAL MATERIAL: COPPER



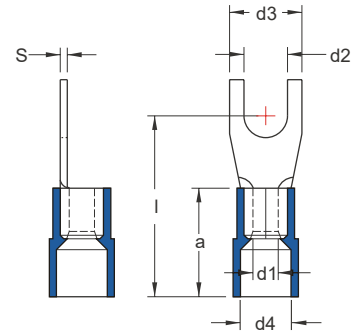
WIRE RANGE A.W.G. mm ²	ITEM NO.		STUD SIZE		DIMENSION mm						CRIMPING TOOL	Q'TY BOX		
	BRAZED SEAM	BUTTED SEAM	d2	d3	l	d1	d4	a	S					
12-10 A.W.G.	DRNIB4-6	DRNI4-6	#8	4.3	8.0	21.0	3.6	6.4	13.0	1.0	IZUMI MODEL 5 WITH DIE INDEX COLOR:YELLOW OR K.S. MODEL KST2000A WITH DIE INDEX COLOR:YELLOW	500		
	DRNIB5-6	DRNI5-6	#10	5.3	10.0	22.0						500		
	DRNIB6-6	DRNI6-6	1/4	6.5	11.0	23.0						500		
2.5-6 mm ²	DRNIB8-6	DRNI8-6	5/16	8.4	14.0	26.0						18.0	28.0	500
	DRNIB10-6	DRNI10-6	3/8	10.5	500									
	DRNIB12-6	DRNI12-6	1/2	13.0	500									

UL cUL ALL LISTED



DIN 46237

**PC-INSULATED
SPADE TERMINALS**



MAXIMUM ELECTRIC CURRENT:

A.W.G.	22	20	18	16	14	12	10
AMP.	9	12	17	18	30	35	50

MAXIMUM ELECTRICAL RATING: 125°C 600 VOLTS MAX.

INSULATION MATERIAL: PC

INSULATION COLOR:

22-16 A.W.G.: RED 16-14 A.W.G.: BLUE 12-10 A.W.G.: YELLOW

TERMINAL MATERIAL: COPPER

WIRE RANGE A.W.G. mm ²	ITEM NO.		STUD SIZE		DIMENSION mm						CRIMPING TOOL	Q'TY BOX
	BRAZED SEAM	BUTTED SEAM	d2		d3	l	d1	d4	a	S		
22-16 A.W.G. 0.5-1.5 mm ²	DSNIB3-1	DSNI3-1	#4	3.2	6.0	17.0	1.6	4.0	11.0	0.8	IZUMI MODEL 34 WITH DIE INDEX COLOR:RED OR K.S. MODEL KST2000A WITH DIE INDEX COLOR:RED	1000
	DSNIB3.5-1	DSNI3.5-1	#6	3.7								
	DSNIB4-1	DSNI4-1	#8	4.3	6.8							
	DSNIBL4-1	DSNIL4-1	#8	4.3	8.0	18.0						
	DSNIB5-1	DSNI5-1	#10	5.3	10.0	19.0						
	DSNIB6-1	DSNI6-1	1/4	6.5	11.0	21.0						
16-14 A.W.G. 1.5-2.5 mm ²	DSNIB3-2.5	DSNI3-2.5	#4	3.2	5.5	19.0	2.3	4.5	11.0	0.8	IZUMI MODEL 34 WITH DIE INDEX COLOR:BLUE OR K.S. MODEL KST2000A WITH DIE INDEX COLOR:BLUE	1000
	DSNIB3.5-2.5	DSNI3.5-2.5	#6	3.7	6.0	17.0						
	DSNIB4-2.5	DSNI4-2.5	#8	4.3	6.8	18.0						
	DSNIBL4-2.5	DSNIL4-2.5	#8	4.3	8.0	18.0						
	DSNIB5-2.5	DSNI5-2.5	#10	5.3	10.0	20.0						
	DSNIB6-2.5	DSNI6-2.5	1/4	6.5	11.0	22.0						
12-10 A.W.G. 2.5-6 mm ²	DSNIB4-6	DSNI4-6	#8	4.3	8.0	21.0	3.6	6.4	13.0	1.0	IZUMI MODEL 5 WITH DIE INDEX COLOR:YELLOW OR K.S. MODEL KST2000A WITH DIE INDEX COLOR:YELLOW	500
	DSNIB5-6	DSNI5-6	#10	5.3	10.0	22.0						
	DSNIB6-6	DSNI6-6	1/4	6.5	11.0	23.0						
	DSNIB8-6	DSNI8-6	5/16	8.4	14.0	26.0						
	DSNIB10-6	DSNI10-6	3/8	10.5	18.0	28.0						

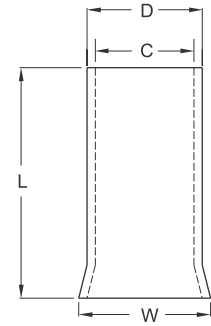
UL cUL ALL LISTED

CORD END TERMINALS



DIN 46228

**NON-INSULATED
CORD END TERMINALS**



MAXIMUM ELECTRIC CURRENT:

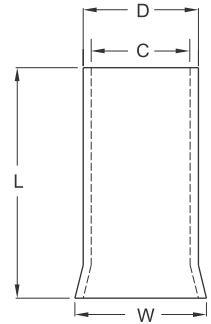
A.W.G.	26	24	22	20
AMP.	5.5	7	9	12

TERMINAL MATERIAL: COPPER TUBE. (TIN PLATED)

WIRE RANGE A.W.G. mm ²	ITEM NO.	DIMENSION								CRIMPING TOOL
		L		D		C		W		
		inch	mm	inch	mm	inch	mm	inch	mm	
24 A.W.G. 0.25 mm ²	EN0205	.197	5.0							K.S. MODEL LY8-060 WITH DIE INDEX NO:0.25-0.75 OR K.S. MODEL KST2000L WITH DIE INDEX NO:0.25
	EN0206	.236	6.0							
	EN0207	.276	7.0	.043	1.1	.031	0.8	.067	1.7	
	EN0208	.315	8.0							
	EN0215	.591	15.0							
	EN0225	.984	25.0							
22 A.W.G. 0.34 mm ²	EN0305	.197	5.0							
	EN0306	.236	6.0							
	EN0307	.276	7.0	.047	1.2	.035	0.9	.071	1.8	
	EN0308	.315	8.0							
20 A.W.G. 0.5 mm ²	EN0505	.197	5.0							K.S. MODEL KST2000L WITH DIE INDEX NO:0.25 OR K.S. MODEL LY8-060 WITH DIE INDEX NO:0.25-0.75
	EN0506	.236	6.0							
	EN0508	.315	8.0	.051	1.3	.039	1.0	.083	2.1	
	EN0510	.394	10.0							
	EN0512	.472	12.0							
18 A.W.G. 0.75 mm ²	EN7505	.197	5.0							K.S. MODEL KST2000L WITH DIE INDEX NO:0.75 OR K.S. MODEL LY8-060 WITH DIE INDEX NO:0.25-0.75
	EN7506	.236	6.0							
	EN7507	.276	7.0							
	EN7508	.315	8.0							
	EN7510	.394	10.0	.059	1.5	.047	1.2	.091	2.3	
	EN7512	.472	12.0							
	EN7515	.591	15.0							
	EN7520	.787	20.0							

DIN 46228

**NON-INSULATED
CORD END TERMINALS**



MAXIMUM ELECTRIC CURRENT:

A.W.G.	18	16	14
AMP.	17	18	30

TERMINAL MATERIAL: COPPER TUBE. (TIN PLATED)

WIRE RANGE A.W.G. mm ²	ITEM NO.	DIMENSION								CRIMPING TOOL
		L		D		C		W		
		inch	mm	inch	mm	inch	mm	inch	mm	
18 A.W.G. 1.0 mm ²	EN1006	.236	6.0	.067	1.7	.055	1.4	.098	2.5	K.S. MODEL KST2000L WITH DIE INDEX NO:1 OR K.S. MODEL LY8-060 WITH DIE INDEX NO:1-1.5
	EN1007	.276	7.0							
	EN1008	.315	8.0							
	EN1010	.394	10.0							
	EN1012	.472	12.0							
	EN1015	.591	15.0							
	EN1018	.709	18.0							
	EN1020	.787	20.0							
	EN1025	.984	25.0							
16 A.W.G. 1.5 mm ²	EN1506	.236	6.0	.079	2.0	.067	1.7	.110	2.8	K.S. MODEL KST2000L WITH DIE INDEX NO:1.5 OR K.S. MODEL LY8-060 WITH DIE INDEX NO:1-1.5
	EN1507	.276	7.0							
	EN1508	.315	8.0							
	EN1510	.394	10.0							
	EN1512	.472	12.0							
	EN1515	.591	15.0							
	EN1518	.709	18.0							
	EN1520	.787	20.0							
14 A.W.G. 2.5 mm ²	EN2506	.236	6.0	.102	2.6	.091	2.3	.134	3.4	K.S. MODEL KST2000L WITH DIE INDEX NO:2.5 OR K.S. MODEL LY8-060 WITH DIE INDEX NO:2.5
	EN2507	.276	7.0							
	EN2508	.315	8.0							
	EN2510	.394	10.0							
	EN2512	.472	12.0							
	EN2515	.591	15.0							

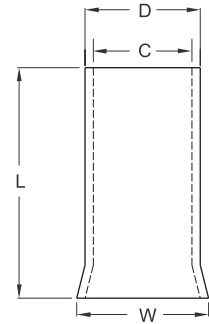


ALL LISTED

Ⓞ : NOT RU AND C-RU LISTED

DIN 46228

**NON-INSULATED
CORD END TERMINALS**



MAXIMUM ELECTRIC CURRENT:

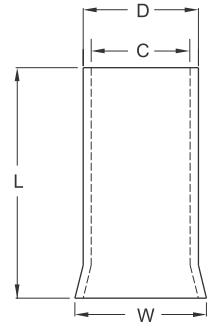
A.W.G.	14	12	10	8
AMP.	15	35	50	70

TERMINAL MATERIAL: COPPER TUBE. (TIN PLATED)

WIRE RANGE A.W.G. mm ²	ITEM NO.	DIMENSION								CRIMPING TOOL
		L		D		C		W		
		inch	mm	inch	mm	inch	mm	inch	mm	
14 A.W.G. 2.5 mm ²	EN2518	.709	18.0	.102	2.6	.091	2.3	.134	3.4	K.S. MODEL KST2000L WITH DIE INDEX NO:2.5 OR K.S. MODEL LY8-060 WITH DIE INDEX NO:2.5
	EN2520	.787	20.0							
	EN2525	.984	25.0							
	EN2530	1.181	30.0							
12 A.W.G. 4 mm ²	EN4007	.276	7.0	.126	3.2	.110	2.8	.157	4.0	K.S. MODEL KST2000L WITH DIE INDEX NO:4 OR K.S. MODEL LY8-060 WITH DIE INDEX NO:4 OR WACO MODEL VARIOCRIMP 4
	EN4009	.354	9.0							
	EN4010	.394	10.0							
	EN4012	.472	12.0							
	EN4015	.591	15.0							
	EN4018	.709	18.0							
	EN4020	.787	20.0							
	EN4030	1.181	30.0							
10 A.W.G. 6 mm ²	EN6006	.236	6.0	.154	3.9	.138	3.5	.185	4.7	K.S. MODEL KST2000M WITH DIE INDEX NO:6 OR K.S. MODEL LY8-060 WITH DIE INDEX NO:6
	EN6010	.394	10.0							
	EN6012	.472	12.0							
	EN6015	.591	15.0							
	EN6018	.709	18.0							
	EN6020	.787	20.0							
	EN6025	.984	25.0							
8 A.W.G. 10 mm ²	EN10-6	.236	6.0	.193	4.9	.177	4.5	.228	5.8	K.S. MODEL KST2000M WITH DIE INDEX NO:10
	EN10-8	.315	8.0							
	EN10-12	.472	12.0							
	EN10-15	.591	15.0							

DIN 46228

**NON-INSULATED
CORD END TERMINALS**



MAXIMUM ELECTRIC CURRENT:

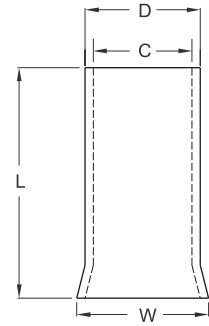
A.W.G.	8	6	4
AMP.	70	95	125

TERMINAL MATERIAL: COPPER TUBE. (TIN PLATED)

WIRE RANGE A.W.G. mm ²	ITEM NO.	DIMENSION								CRIMPING TOOL	
		L		D		C		W			
		inch	mm	inch	mm	inch	mm	inch	mm		
8 A.W.G. 10 mm ²	EN10-16	.630	16.0	.193	4.9	.177	4.5	.228	5.8	K.S. MODEL KST2000M WITH DIE INDEX NO:10	
	EN10-18	.709	18.0								
	EN10-20	.787	20.0								
	EN10-22	.866	22.0								
	EN10-25	.984	25.0								
6 A.W.G. 16 mm ²	EN16-6 ©	.236	6.0	.244	6.2	.228	5.8	.299	7.6		K.S. MODEL KST2000M WITH DIE INDEX NO:16
	EN16-8 ©	.315	8.0								
	EN16-12	.472	12.0								
	EN16-15	.591	15.0								
	EN16-16	.630	16.0								
	EN16-18	.709	18.0								
	EN16-20	.787	20.0								
	EN16-22	.866	22.0								
	EN16-25	.984	25.0								
	EN16-30	1.181	30.0								
EN16-32	1.260	32.0									
4 A.W.G. 25 mm ²	EN25-6 ©	.236	6.0	.303	7.7	.287	7.3	.366	9.3	K.S. MODEL KSTP325-B WITH DIE INDEX NO:E-25	
	EN25-8 *	.315	8.0								
	EN25-12 ©	.472	12.0								
	EN25-13 *	.512	13.0								
	EN25-15	.591	15.0								
	EN25-16	.630	16.0								
	EN25-18	.709	18.0								
	EN25-20	.787	20.0								
	EN25-22	.866	22.0								

DIN 46228

**NON-INSULATED
CORD END TERMINALS**



MAXIMUM ELECTRIC CURRENT:

A.W.G.	4	2	1/0	2/0
AMP.	125	170	230	265

TERMINAL MATERIAL: COPPER TUBE. (TIN PLATED)

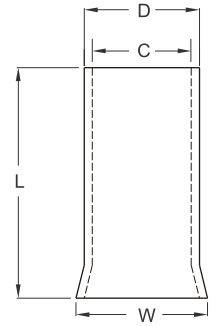
WIRE RANGE A.W.G. mm ²	ITEM NO.	DIMENSION								CRIMPING TOOL
		L		D		C		W		
		inch	mm	inch	mm	inch	mm	inch	mm	
4 A.W.G. 25 mm ²	EN25-25	.984	25.0	.303	7.7	.287	7.3	.366	9.3	K.S. MODEL KSTP325-B WITH DIE INDEX NO:E-25
	EN25-30	1.181	30.0							
	EN25-32	1.260	32.0							
	EN25-50 *	1.969	50.0							
2 A.W.G. 35 mm ²	EN35-12	.472	12.0	.343	8.7	.327	8.3	.425	10.8	K.S. MODEL KSTP325-B WITH DIE INDEX NO:E-35
	EN35-15	.591	15.0							
	EN35-16	.630	16.0							
	EN35-18	.709	18.0							
	EN35-20	.787	20.0							
	EN35-22	.866	22.0							
	EN35-25	.984	25.0							
	EN35-30	1.181	30.0							
EN35-32	1.260	32.0								
1/0 A.W.G. 50 mm ²	EN50-12	.472	12.0	.429	10.9	.406	10.3	.504	12.8	K.S. MODEL KSTP325-B WITH DIE INDEX NO:E-50
	EN50-18	.709	18.0							
	EN50-20 *	.787	20.0							
	EN50-22	.866	22.0							
	EN50-25	.984	25.0							
	EN50-30	1.181	30.0							
	EN50-32	1.260	32.0							
EN50-50 *	1.969	50.0								
2/0 A.W.G. 70 mm ²	EN70-22	.866	22.0	.559	14.2	.531	13.5	.622	15.8	K.S. MODEL KSTP325-B WITH DIE INDEX NO:KC-70
	EN70-25	.984	25.0							
	EN70-30	1.181	30.0							
	EN70-32	1.260	32.0							



ALL LISTED
 ◎ : NOT RU AND C-RU LISTED
 ※ : DEVELOPING ON DEMAND

DIN 46228

**NON-INSULATED
CORD END TERMINALS**



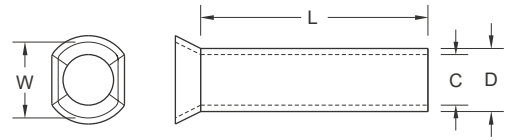
MAXIMUM ELECTRIC CURRENT:

A.W.G.	3/0	4/0	250	300	350	400	500	600
AMP.	310	460	405	445	505	545	620	690

TERMINAL MATERIAL: COPPER TUBE. (TIN PLATED)

WIRE RANGE A.W.G. mm ²	ITEM NO.	DIMENSION								CRIMPING TOOL
		L		D		C		W		
		inch	mm	inch	mm	inch	mm	inch	mm	
3/0 A.W.G. 95 mm ²	EN95-25	.984	25.0	.614	15.6	.583	14.8	.681	17.3	K.S. MODEL KSTP325-B WITH DIE INDEX NO:KC-95
	EN95-30	1.181	30.0							
	EN95-32	1.260	32.0							
	EN95-34	1.339	34.0							
4/0 A.W.G. 120 mm ²	EN120-30	1.181	30.0	.697	17.7	.657	16.7	.795	20.2	K.S. MODEL KSTP325-B WITH DIE INDEX NO:KC-120
	EN120-32	1.260	32.0							
	EN120-34	1.339	34.0							
	EN120-38	1.496	38.0							
	EN120-40	1.575	40.0							
	EN120-50	1.969	50.0							
250/300 MCM 150 mm ²	EN150-32	1.260	32.0	.811	20.6	.722	19.6	.906	23.0	K.S. MODEL KSTP325-B WITH DIE INDEX NO:KC-150
	EN150-34	1.339	34.0							
	EN150-35	1.378	35.0							
	EN150-38	1.496	38.0							
	EN150-40	1.575	40.0							
	EN150-60	2.362	60.0							
300/350 MCM 185 mm ²	EN185-25	.984	25.0	.843	21.4	.795	20.2	.941	23.9	K.S. MODEL KSTP325-B WITH DIE INDEX NO:KC-185
	EN185-32	1.260	32.0							
	EN185-40	1.575	40.0							
400 MCM 240 mm ²	EN240-32	1.260	32.0	.953	24.2	.906	23.0	1.043	26.5	K.S. MODEL KSTP325-B WITH DIE INDEX NO:E 240
	EN240-34	1.339	34.0							
	EN240-40	1.575	40.0							
500/600 MCM 325 mm ²	EN325-34	1.339	34.0	1.051	26.7	1.004	25.5	1.102	28.0	K.S. MODEL KSTP325-B WITH DIE INDEX NO:E 325
	EN325-40	1.575	40.0							
600/750 MCM 400 mm ²	EN400-40	1.575	40.0	1.205	30.6	1.150	29.2	1.260	32.0	
800/1000 MCM 500 mm ²	EN500-40	1.575	40.0	1.362	34.6	1.307	33.2	1.417	36.0	

NON-INSULATED TWIN CORD END TERMINALS



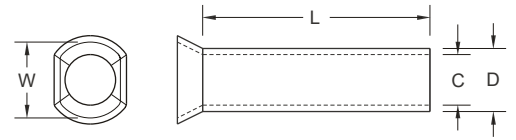
MAXIMUM ELECTRIC CURRENT:

A.W.G.	22	20	18	16	14
AMP.	9	12	17	18	30

TERMINAL MATERIAL: COPPER TUBE. (TIN PLATED)

WIRE RANGE A.W.G. mm ²	ITEM NO.	DIMENSION								CRIMPING TOOL
		L		D		C		W		
		inch	mm	inch	mm	inch	mm	inch	mm	
2×22 A.W.G. 2×0.5 mm ²	TEN0508	.315	8.0	.071	1.8	.059	1.5	.067	1.7	K.S. MODEL KST2000L WITH DIE INDEX NO:0.5 OR K.S. MODEL LY8-060 WITH DIE INDEX NO:0.25-0.75 OR WACO MODEL VARIOCRIMP 4
2×20 A.W.G. 2×0.75 mm ²	TEN7508	.315	8.0	.083	2.1	.071	1.8	.075	1.9	K.S. MODEL KST2000L WITH DIE INDEX NO:0.75 OR K.S. MODEL LY8-060 WITH DIE INDEX NO:0.25-0.75 OR WACO MODEL VARIOCRIMP 4
	TEN7510	.394	10.0							
2×18 A.W.G. 2×1.0 mm ²	TEN1006	.236	6.0	.094	2.4	.083	2.1	.098	2.5	K.S. MODEL KST2000L WITH DIE INDEX NO:1 OR K.S. MODEL LY8-060 WITH DIE INDEX NO:1-1.5 OR WACO MODEL VARIOCRIMP 4
	TEN1007	.276	7.0							
	TEN1008	.315	8.0							
	TEN1010	.394	10.0							
2×16 A.W.G. 2×1.5 mm ²	TEN1508	.315	8.0	.102	2.6	.091	2.3	.110	2.8	K.S. MODEL KST2000L WITH DIE INDEX NO:1.5 OR K.S. MODEL LY8-060 WITH DIE INDEX NO:1-1.5 OR WACO MODEL VARIOCRIMP 4
	TEN1512	.472	12.0							
2×14 A.W.G. 2×2.5 mm ²	TEN2510	.394	10.0	.130	3.3	.114	2.9	.134	3.4	K.S. MODEL KST2000L LY8-060 WITH DIE INDEX NO:2.5 OR WACO MODEL VARIOCRIMP 4
	TEN2513	.512	13.0							

**NON-INSULATED
TWIN CORD END TERMINALS**



MAXIMUM ELECTRIC CURRENT:

A.W.G.	12	10	8	6
AMP.	35	50	70	95

TERMINAL MATERIAL: COPPER TUBE. (TIN PLATED)

WIRE RANGE A.W.G. mm ²	ITEM NO.	DIMENSION								CRIMPING TOOL
		L		D		C		W		
		inch	mm	inch	mm	inch	mm	inch	mm	
2×12 A.W.G. 2×4 mm ²	TEN4012	.472	12.0	.165	4.2	.150	3.8	.173	4.4	K.S. MODEL KST2000L LY8-060 WITH DIE INDEX NO: 4 OR WACO MODEL VARIOCRIMP 4
2×10 A.W.G. 2×6 mm ²	TEN6014	.551	14.0	.209	5.3	.193	4.9	.228	5.8	K.S. MODEL KST2000M LY8-060 WITH DIE INDEX NO: 6 OR WACO MODEL VARIOCRIMP 16
2×8 A.W.G. 2×10 mm ²	TEN10-14	.551	14.0	.272	6.9	.256	6.5	.291	7.4	K.S. MODEL KST2000M WITH DIE INDEX NO: 10 OR WACO MODEL VARIOCRIMP 16
2×6 A.W.G. 2×16 mm ²	TEN16-14	.551	14.0	.343	8.7	.327	8.3	.394	10.0	K.S. MODEL KST2000M WITH DIE INDEX NO: 16 OR WACO MODEL VARIOCRIMP 16