

WRENCHES



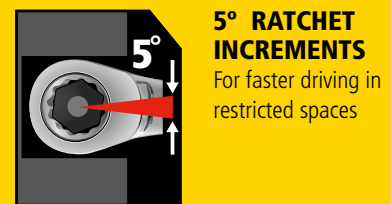
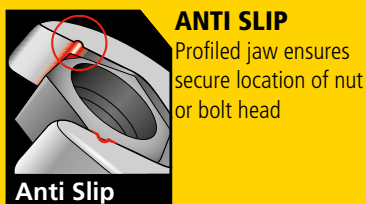
A PROFESSIONAL CHOICE FOR EVERY TASK

Flexibility is the key to an efficient working environment and the **STANLEY® AUTOMOTIVE** range of wrenches have been carefully selected to offer a professional choice to match the job in hand.

Fully certified to ISO and ANSI standards, you can be sure of outstanding performance in any situation.

INNOVATIVE DESIGN FOR ENHANCED PERFORMANCE

Monitoring tool performance in real working situations, our designers have created uniquely profiled jaws and rings make the range comfortable to use, minimising downtime and keeping jobs on schedule.

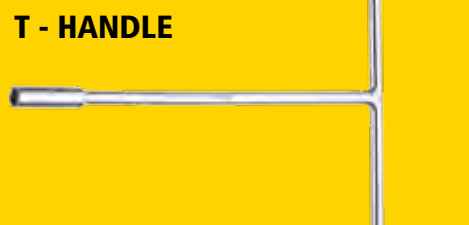


WRENCH RANGE OVERVIEW

WRENCH POUCH SET

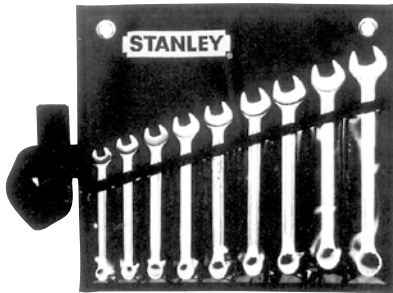


COMBINATION WRENCHES



COMBINATION WRENCHES

SLIMLINE 9 PIECE COMBINATION WRENCH SET



- Made of Chrome Vanadium Steel
- Both the open ended head and the ring are angled at 15° for optimum accessibility
- Nickel chrome plating protects against corrosion
- Slim pattern
- MaxiDrive™ and anti-slip open ended jaw shape maintains grip on fastener with only slight rotational pressure
- Anti-slip feature

| SKU # | Contents | Weight (g) | Box/CTN |
|----------|------------------------------------------------------------------------------------------------|------------|---------|
| 87-034-1 | "Slimline" wrench: 8, 9, 10, 11, 12, 13, 14, 15, 17mm Heavy-duty nylon pouch Inner box | 910 | 20/20 |
| 87-033-1 | "Slimline" wrench: 10, 11, 12, 13, 14, 15, 16, 17, 19mm Heavy-duty nylon pouch Inner box | 1490 | 16/16 |

SLIMLINE 14 PIECE COMBINATION WRENCH SET



- Made of Chrome Vanadium Steel
- Both the open ended head and the ring are angled at 15° for optimum accessibility
- Nickel chrome plating protects against corrosion
- Slim pattern
- MaxiDrive™ and anti-slip open ended jaw shape maintains grip on fastener with only slight rotational pressure
- Anti-slip feature

| SKU # | Contents | Weight (g) | Box/CTN |
|----------|-----------------------------------------------------------------------------------------------------------------------------------------------------------|------------|---------|
| 87-036-1 | "Slimline" wrench: 8, 9, 10, 11, 12, 13, 14, 15, 16, 17, 19, 21, 22, 24mm Heavy-duty nylon pouch Inner box | 3600 | 10/10 |
| 87-038-1 | "Slimline" wrench: 10, 11, 12, 13, 14, 17, 19, 21, 22, 23, 24, 26, 30, 32mm Heavy-duty nylon pouch Inner box | 2300 | 1/6 |
| 87-709-1 | "Slimline" wrench: 3/8", 7/16", 1/2", 9/16", 5/8", 11/16", 3/4", 13/16", 7/8", 15/16", 1", 1 1/16", 1 1/8", 1 1/4" Heavy-duty nylon pouch Inner box | 10400 | 1/6 |

DOUBLE OPEN END WRENCH SET



- Made of Chrome Vanadium Steel
- Ends are slanted 15° for quick operation
- Two sizes per wrench
- Comprehensive set of open end wrench for the most common sizes
- Anti-slip feature

| SKU # | Contents | Weight (g) | Box/CTN |
|------------------|-----------------------------------------------------------------------------------------------------------------------------------------|------------|---------|
| 87-718-1 8 pc | "Slimline" wrench: (Metric) 6 x 7, 8 x 9, 10 x 11, 12 x 13, 14 x 15, 16 x 17, 18 x 19, 20 x 22mm Heavy-duty nylon pouch Inner box | 590 | 1/12 |

SLIMLINE 8 PIECE COMBINATION WRENCH SET



- Made of Chrome Vanadium Steel
- Both the open ended head and the ring are angled at 15° for optimum accessibility
- Nickel chrome plating protects against corrosion
- Slim pattern
- MaxiDrive™ and anti-slip open ended jaw shape maintains grip on fastener with only slight rotational pressure
- Anti-slip feature

| SKU # | Contents | Weight (g) | Box/CTN |
|----------|-------------------------------------------------------------------------------------------|------------|---------|
| 87-011-1 | "Slimline" wrench: 8, 10, 11, 13, 14, 17, 19, 22mm Heavy-duty nylon pouch Inner box | 920 | 20/20 |

75° OFFSET RING END WRENCH SET



- Double ring wrench chrome vanadium steel
- MaxiDrive™ Plus profile - Attacks on the sides, not the corners of the nut or bolt
- Twelve-edged head for optimal support of hexagonal and square nuts
- Polished and chrome-plated finish for excellent protection
- Heads to 70 ° for greater access in tight spaces
- Powerful and safe working
- Anti-slip feature

| SKU # | Contents | Weight (g) | Box/CTN |
|----------|------------------------------------------------------------------------------------------------------------------------------------|------------|---------|
| 87-617-3 | "Slimline" wrench: (Metric) 6 x 7, 8 x 9, 10 x 11, 12 x 13, 14 x 15, 16 x 17, 18 x 19, 20 x 22, 21 x 23, 24 x 27mm Inner box | 2200 | 10/10 |

COMBINATION WRENCHES

23 PCS COMBINATION WRENCH SET



- Combination wrench 6mm
- Combination wrench 7mm
- Combination wrench 8mm
- Combination wrench 9mm
- Combination wrench 10mm
- Combination wrench 11mm
- Combination wrench 12mm
- Combination wrench 13mm
- Combination wrench 14mm
- Combination wrench 15mm
- Combination wrench 16mm
- Combination wrench 17mm
- Combination wrench 18mm
- Combination wrench 19mm
- Combination wrench 20mm
- Combination wrench 21mm
- Combination wrench 22mm
- Combination wrench 23mm
- Combination wrench 24mm
- Combination wrench 25mm
- Combination wrench 27mm
- Combination wrench 30mm
- Combination wrench 32mm



| SKU # | Description | Qty (mm) | L (mm) | W (mm) | Weight (kg) | Box Qty |
|-------------|-------------------------------|----------|--------|--------|-------------|---------|
| STMT33650-8 | 23 PCS Combination Wrench Set | 23 | 491 | 115 | 6.1 | 1 |

14 PCS COMBINATION WRENCH SET



- Combination wrench 8 mm
- Combination wrench 9 mm
- Combination wrench 10 mm
- Combination wrench 11 mm
- Combination wrench 12 mm
- Combination wrench 13 mm
- Combination wrench 14 mm
- Combination wrench 15 mm
- Combination wrench 16 mm
- Combination wrench 17 mm
- Combination wrench 18 mm
- Combination wrench 19 mm
- Combination wrench 22 mm
- Combination wrench 24 mm



| SKU # | Description | Qty (mm) | L (mm) | W (mm) | Weight (kg) | Box Qty |
|-------------|-------------------------------|----------|--------|--------|-------------|---------|
| STMT33647-8 | 14 PCS Combination Wrench Set | 14 | 388 | 87 | 2.3 | 1 |

8 PCS COMBINATION WRENCH SET



- Combination wrench 8 mm
- Combination wrench 10 mm
- Combination wrench 11 mm
- Combination wrench 12 mm
- Combination wrench 13 mm
- Combination wrench 14 mm
- Combination wrench 17 mm
- Combination wrench 19 mm



| SKU # | Description | Qty (mm) | L (mm) | W (mm) | Weight (kg) | Box Qty |
|-------------|------------------------------|----------|--------|--------|-------------|---------|
| STMT73649-8 | 8 PCS Combination Wrench Set | 8 | 324 | 67 | 0.93 | 1 |

6 PCS COMBINATION WRENCH SET



- Combination wrench 10 mm
- Combination wrench 12 mm
- Combination wrench 14 mm
- Combination wrench 17 mm
- Combination wrench 19 mm
- Combination wrench 21 mm



| SKU # | Description | Qty (mm) | L (mm) | W (mm) | Weight (kg) | Box Qty |
|-------------|------------------------------|----------|--------|--------|-------------|---------|
| STMT73648-8 | 6 PCS Combination Wrench Set | 6 | 351 | 67 | 1.04 | 1 |

6 PCS DOUBLE OPEN END WRENCH SET



- Open-end wrench 6x7 mm
- Open-end wrench 8x10 mm
- Open-end wrench 11x13mm
- Open-end wrench 12x14 mm
- Open-end wrench 17x19 mm
- Open-end wrench 21x23 mm



| SKU # | Description | Qty (mm) | L (mm) | W (mm) | Weight (kg) | Box Qty |
|-------------|----------------------------------|----------|--------|--------|-------------|---------|
| STMT73663-8 | 6 PCS Double Open End Wrench Set | 6 | 321 | 67 | 0.96 | 1 |

6 PCS DOUBLE RING WRENCH SET



- Offset double ring wrench 8x10 mm
- Offset double ring wrench 11x13 mm
- Offset double ring wrench 12x14 mm
- Offset double ring wrench 17x19 mm
- Offset double ring wrench 21x23 mm
- Offset double ring wrench 22x24 mm



| SKU # | Description | Qty (mm) | L (mm) | W (mm) | Weight (kg) | Box Qty |
|-------------|------------------------------|----------|--------|--------|-------------|---------|
| STMT73664-8 | 6 PCS Double Ring Wrench Set | 6 | 406 | 67 | 1.41 | 1 |

10 PCS OFFSET DOUBLE RING MODULE



COMPATIBLE with
**TRANS
MODULE**
system

- Offset double ring wrench 6x7mm
- Offset double ring wrench 8x9mm
- Offset double ring wrench 10x12mm
- Offset double ring wrench 11x13mm
- Offset double ring wrench 12x14mm
- Offset double ring wrench 14x15mm
- Offset double ring wrench 16x17mm
- Offset double ring wrench 18x19mm
- Offset double ring wrench 21x23mm
- Offset double ring wrench 22x24mm



| SKU # | Description | Length (mm) | Width (mm) | Height (mm) | Carton Qty |
|-------------|----------------------------------|-------------|------------|-------------|------------|
| STMT74177-8 | 10 PCS Offset Double Ring Module | 384 | 184 | 45 | 4 |

16 PCS COMBINATION WRENCH MODULE (CWF)



COMPATIBLE with
**TRANS
MODULE**
system

- Combination wrench 6mm
- Combination wrench 7mm
- Combination wrench 8mm
- Combination wrench 9mm
- Combination wrench 10mm
- Combination wrench 11mm
- Combination wrench 12mm
- Combination wrench 13mm
- Combination wrench 14mm
- Combination wrench 15mm
- Combination wrench 16mm
- Combination wrench 17mm
- Combination wrench 18mm
- Combination wrench 19mm
- Combination wrench 22mm
- Combination wrench 24mm



| SKU # | Description | Length (mm) | Width (mm) | Height (mm) | Carton Qty |
|-------------|----------------------------------------|-------------|------------|-------------|------------|
| STMT74178-8 | 16 PCS Combination Wrench Module (CWF) | 384 | 184 | 45 | 4 |

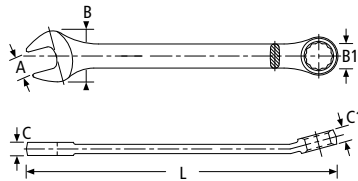
16PCS COMBI WRENCH MODULE SET



- Slim line combination wrench
- Matt finish
- 6 to 24mm size
- Compatible with transmodule

| SKU # | Description | Length (mm) | Width (mm) | Height (mm) | Box Qty |
|--------------|----------------------------------------------|-------------|------------|-------------|---------|
| STMT74897-8C | 16PCS Slimline Combination Wrench Module Set | 405 | 290 | 60 | 1 |

SLIM LINE COMBINATION WRENCH (CWE)

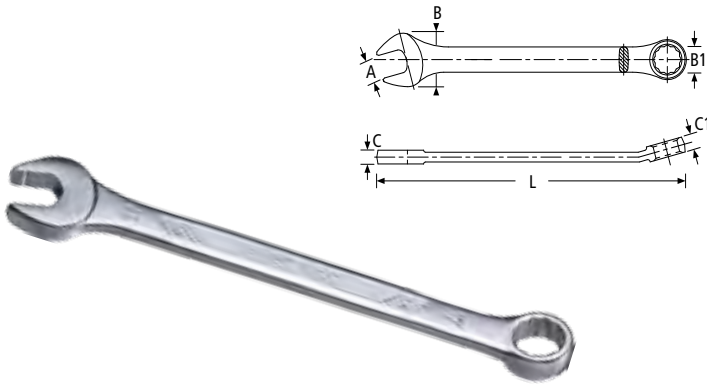


- DIN 3113, ISO 1711-1, ISO 691
- Maxi-Drive™ system helps reduce fastener rounding
- Slim design for increased accessibility
- Anti-slip design on open-end
- Full polished finishing
- Chrome vanadium steel
- 12-point ring angled at 15°



| Retail SKU # | Bulk SKU # | Description | A (mm) | L (mm) | B (mm) | B1 (mm) | C (mm) | C1 (mm) | Weight (kg) | Box Qty |
|--------------|--------------|-----------------------------|--------|--------|--------|---------|--------|---------|-------------|---------|
| STMT79101-8 | STMT79101-8B | Combination Wrench 6 mm SL | 6 | 100 | 15.5 | 10.1 | 4.0 | 4.7 | 0.016 | 10 |
| STMT79102-8 | STMT79102-8B | Combination Wrench 7 mm SL | 7 | 110 | 17 | 11.5 | 4.0 | 5 | 0.020 | 10 |
| STMT79103-8 | STMT79103-8B | Combination Wrench 8 mm SL | 8 | 120 | 19.2 | 12.8 | 4.5 | 5.5 | 0.025 | 10 |
| STMT79104-8 | STMT79104-8B | Combination Wrench 9 mm SL | 9 | 130 | 21.2 | 14.2 | 4.5 | 5.9 | 0.032 | 10 |
| STMT79105-8 | STMT79105-8B | Combination Wrench 10 mm SL | 10 | 140 | 23.2 | 15.6 | 5.0 | 6.5 | 0.040 | 10 |
| STMT79106-8 | STMT79106-8B | Combination Wrench 11 mm SL | 11 | 150 | 25.3 | 16.9 | 5.4 | 6.9 | 0.049 | 10 |
| STMT79107-8 | STMT79107-8B | Combination Wrench 12 mm SL | 12 | 160 | 27.2 | 18.3 | 5.5 | 7.3 | 0.059 | 10 |
| STMT79108-8 | STMT79108-8B | Combination Wrench 13 mm SL | 13 | 170 | 29.4 | 19.7 | 5.9 | 7.8 | 0.071 | 10 |
| STMT79109-8 | STMT79109-8B | Combination Wrench 14 mm SL | 14 | 180 | 31.5 | 21.2 | 6.2 | 8.3 | 0.089 | 10 |
| STMT79110-8 | STMT79110-8B | Combination Wrench 15 mm SL | 15 | 190 | 33.2 | 22.5 | 6.4 | 8.6 | 0.100 | 10 |
| STMT79111-8 | STMT79111-8B | Combination Wrench 16 mm SL | 16 | 200 | 34.7 | 24 | 6.7 | 8.9 | 0.114 | 10 |
| STMT79112-8 | STMT79112-8B | Combination Wrench 17 mm SL | 17 | 210 | 36.5 | 25.3 | 6.9 | 9.3 | 0.130 | 10 |
| STMT79113-8 | STMT79113-8B | Combination Wrench 18 mm SL | 18 | 220 | 38.7 | 26.8 | 7.2 | 9.9 | 0.151 | 10 |
| STMT79114-8 | STMT79114-8B | Combination Wrench 19 mm SL | 19 | 230 | 40.7 | 28.1 | 7.4 | 10.5 | 0.172 | 10 |
| STMT79115-8 | STMT79115-8B | Combination Wrench 20 mm SL | 20 | 240 | 43.1 | 29.7 | 7.7 | 10.9 | 0.211 | 10 |
| STMT79116-8 | STMT79116-8B | Combination Wrench 21 mm SL | 21 | 250 | 44.8 | 31.3 | 8.0 | 11.3 | 0.215 | 10 |
| STMT79117-8 | STMT79117-8B | Combination Wrench 22 mm SL | 22 | 260 | 46.9 | 32.6 | 8.2 | 11.5 | 0.235 | 5 |
| STMT79118-8 | STMT79118-8B | Combination Wrench 23 mm SL | 23 | 270 | 48.3 | 34.2 | 8.4 | 11.8 | 0.262 | 5 |
| STMT79119-8 | STMT79119-8B | Combination Wrench 24 mm SL | 24 | 280 | 50.4 | 35.5 | 8.7 | 12.1 | 0.291 | 5 |
| - | STMT79120-8B | Combination Wrench 27 mm SL | 27 | 310 | 55.7 | 39.6 | 9.4 | 13.1 | 0.383 | 5 |
| - | STMT79121-8B | Combination Wrench 30 mm SL | 30 | 340 | 61.8 | 43.7 | 10.1 | 13.7 | 0.497 | 5 |
| - | STMT79122-8B | Combination Wrench 32 mm SL | 32 | 360 | 65.8 | 46.4 | 10.4 | 14.3 | 0.564 | 5 |

COMBINATION WRENCH (CWF)



- ASME B107.17M, ASME B107.100, ASME B107.6
- Maxi-Drive™ system helps reduce fastener rounding
- Anti-slip design on open-end
- large design
- Matt finishing
- Chrome vanadium steel
- 12-point ring angled at 15°



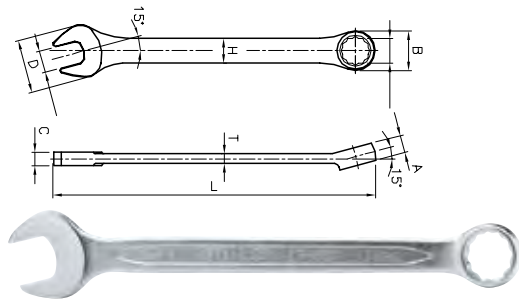
| Retail SKU # | Bulk SKU # | Description | A (mm) | L (mm) | B (mm) | B1 (mm) | C (mm) | Cl (mm) | Weight (kg) | Box Qty |
|--------------|--------------|--------------------------|--------|--------|--------|---------|--------|---------|-------------|---------|
| STMT72803-8 | STMT72803-8B | Combination Wrench 6 mm | 6 | 101 | 15.6 | 11.5 | 4.5 | 6.2 | 0.022 | 10 |
| STMT72804-8 | STMT72804-8B | Combination Wrench 7 mm | 7 | 108 | 17.3 | 11.5 | 4.7 | 6.6 | 0.026 | 10 |
| STMT72805-8 | STMT72805-8B | Combination Wrench 8 mm | 8 | 111 | 19.6 | 13.9 | 4.9 | 6.7 | 0.031 | 10 |
| STMT72806-8 | STMT72806-8B | Combination Wrench 9 mm | 9 | 123 | 20.8 | 16.2 | 5.1 | 7.1 | 0.039 | 10 |
| STMT72807-8 | STMT72807-8B | Combination Wrench 10 mm | 10 | 131 | 22 | 16.2 | 5.5 | 7.4 | 0.045 | 10 |
| STMT72808-8 | STMT72808-8B | Combination Wrench 11 mm | 11 | 147 | 24.2 | 17.9 | 6.3 | 7.9 | 0.064 | 10 |
| STMT72809-8 | STMT72809-8B | Combination Wrench 12 mm | 12 | 155 | 25.7 | 19 | 6.5 | 8.3 | 0.074 | 10 |
| STMT72810-8 | STMT72810-8B | Combination Wrench 13 mm | 13 | 164 | 27.2 | 20.3 | 7.1 | 8.7 | 0.087 | 10 |
| STMT72811-8 | STMT72811-8B | Combination Wrench 14 mm | 14 | 182 | 30.8 | 22.3 | 7.7 | 9.2 | 0.124 | 10 |
| STMT72812-8 | STMT72812-8B | Combination Wrench 15 mm | 15 | 192 | 32.4 | 23.5 | 8.0 | 9.7 | 0.140 | 10 |
| STMT72813-8 | STMT72813-8B | Combination Wrench 16 mm | 16 | 202 | 34 | 24.7 | 8.2 | 10.3 | 0.159 | 10 |
| STMT72814-8 | STMT72814-8B | Combination Wrench 17 mm | 17 | 223 | 37.8 | 26.9 | 8.6 | 10.7 | 0.193 | 10 |
| STMT72815-8 | STMT72815-8B | Combination Wrench 18 mm | 18 | 234 | 39.3 | 28.2 | 8.8 | 11.3 | 0.222 | 10 |
| STMT72816-8 | STMT72816-8B | Combination Wrench 19 mm | 19 | 246 | 40.8 | 29.2 | 9.0 | 11.8 | 0.238 | 10 |
| STMT72817-8 | STMT72817-8B | Combination Wrench 20 mm | 20 | 258 | 42.2 | 30.5 | 9.2 | 12.2 | 0.263 | 10 |
| STMT72818-8 | STMT72818-8B | Combination Wrench 21 mm | 21 | 271 | 43.6 | 31.8 | 9.5 | 12.6 | 0.294 | 10 |
| STMT72819-8 | STMT72819-8B | Combination Wrench 22 mm | 22 | 296 | 46 | 33.8 | 10.0 | 13.1 | 0.361 | 5 |
| STMT72820-8 | STMT72820-8B | Combination Wrench 23 mm | 23 | 308 | 47.5 | 34.9 | 10.4 | 13.5 | 0.385 | 5 |
| STMT72821-8 | STMT72821-8B | Combination Wrench 24 mm | 24 | 321 | 49 | 36 | 10.8 | 13.9 | 0.435 | 5 |
| - | STMT72822-8B | Combination Wrench 25 mm | 27 | 343 | 52 | 38.1 | 11.5 | 14.6 | 0.516 | 5 |
| - | STMT72823-8B | Combination Wrench 26 mm | 30 | 343 | 52 | 38.1 | 11.5 | 14.6 | 0.506 | 5 |
| - | STMT72824-8B | Combination Wrench 27 mm | 32 | 375 | 56 | 40.5 | 12.5 | 15.7 | 0.516 | 5 |
| - | STMT72825-8B | Combination Wrench 28 mm | 28 | 395 | 58 | 42.8 | 13.2 | 16.7 | 0.723 | 5 |
| - | STMT72826-8B | Combination Wrench 29 mm | 29 | 395 | 58 | 42.8 | 13.2 | 16.7 | 0.72 | 5 |
| - | STMT72827-8B | Combination Wrench 30 mm | 30 | 395 | 58 | 42.8 | 13.2 | 16.7 | 0.703 | 5 |
| - | STMT72828-8B | Combination Wrench 32 mm | 32 | 429 | 65.7 | 47.4 | 14.0 | 18.7 | 0.963 | 5 |



“ THE PATENTED ANTI-SLIP FEATURE ON THE COMBINATION WRENCH HAS DEFINITELY SAVED MY KNUCKLES MORE TIMES THAN I CAN COUNT. THOSE IN OUR INDUSTRY KNOW HOW IMPORTANT THIS INJURY-PROOF CHARACTERISTIC IS. ”

WRENCHES

SLIMLINE COMBINATION WRENCH

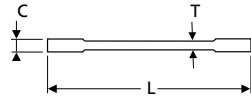
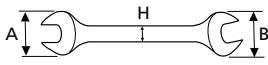


- Made of Chrome Vanadium Steel
- Both the open ended head and the ring are angled at 15° for optimum accessibility
- Nickel chrome plating protects against corrosion
- Slim pattern
- MaxiDrive™ and anti-slip open ended jaw shape maintains grip on fastener with only slight rotational pressure
- Anti-slip feature

| SKU # | Size | L mm | A mm | B mm | C mm | D mm | H mm | T mm | Box/CTN |
|----------|---------|---------|---------|---------|---------|---------|---------|---------|---------|
| 87-660-1 | 1/4" | 100.0 | 4.7 | 10.1 | 4.0 | 15.5 | 7.1 | 2.7 | 6/72 |
| 87-661-1 | 5/16" | 120.0 | 5.5 | 12.8 | 4.5 | 19.2 | 8.4 | 3.0 | 6/90 |
| 87-662-1 | 3/8" | 140.0 | 6.5 | 15.6 | 5.0 | 23.2 | 9.6 | 3.5 | 6/72 |
| 87-663-1 | 7/16" | 150.0 | 6.9 | 16.9 | 5.4 | 25.3 | 10.4 | 3.7 | 6/90 |
| 87-664-1 | 1/2" | 170.0 | 7.8 | 19.7 | 5.9 | 29.4 | 12.1 | 4.1 | 6/90 |
| 87-665-1 | 9/16" | 180.0 | 8.3 | 21.2 | 6.2 | 31.5 | 12.9 | 4.4 | 6/54 |
| 87-666-1 | 5/8" | 200.0 | 8.9 | 24.0 | 6.7 | 34.7 | 13.9 | 4.8 | 6/54 |
| 87-667-1 | 11/16" | 210.0 | 9.3 | 25.3 | 6.9 | 36.5 | 14.6 | 5.0 | 6/54 |
| 87-668-1 | 3/4" | 230.0 | 10.5 | 28.1 | 7.4 | 40.7 | 15.9 | 5.4 | 6/60 |
| 87-669-1 | 13/16" | 250.0 | 11.3 | 31.3 | 8.0 | 44.8 | 17.3 | 5.7 | 4/24 |
| 87-670-1 | 7/8" | 260.0 | 11.5 | 32.6 | 8.2 | 46.9 | 18.0 | 5.8 | 4/24 |
| 87-671-1 | 15/16" | 280.0 | 12.1 | 35.5 | 8.7 | 50.4 | 19.5 | 6.0 | 4/24 |
| 87-672-1 | 1" | 290.0 | 12.5 | 36.9 | 8.9 | 52.0 | 20.1 | 6.2 | 4/24 |
| 87-673-1 | 1-1/16" | 310.0 | 13.1 | 39.6 | 9.4 | 55.7 | 21.8 | 6.6 | 4/24 |
| 87-674-1 | 1-1/8" | 330.0 | 13.3 | 40.9 | 9.7 | 57.6 | 22.5 | 6.8 | 2/12 |
| 87-675-1 | 1-1/4" | 360.0 | 14.3 | 46.4 | 10.4 | 65.8 | 24.8 | 7.3 | 2/12 |

| SKU # | Size | L mm | A mm | B mm | C mm | D mm | H mm | T mm | Box /CTN |
|----------|------|---------|---------|---------|---------|---------|---------|---------|----------|
| 87-424-1 | 5 | 95.0 | 4.1 | 8.9 | 3.5 | 13.6 | 6.2 | 2.4 | 6/72 |
| 87-429-1 | 5.5 | 95.0 | 4.1 | 8.9 | 3.5 | 13.6 | 6.2 | 2.4 | 6/72 |
| 87-066 | 6 | 100.0 | 4.7 | 10.1 | 4.0 | 15.5 | 7.1 | 2.7 | 6/72 |
| 87-057 | 7 | 110.0 | 5.0 | 11.5 | 4.0 | 17.0 | 7.8 | 2.8 | 6/90 |
| 87-058 | 8 | 120.0 | 5.5 | 12.8 | 4.5 | 19.2 | 8.4 | 3.0 | 6/90 |
| 87-069 | 9 | 130.0 | 5.9 | 14.2 | 4.5 | 21.2 | 9.0 | 3.3 | 6/72 |
| 87-070 | 10 | 140.0 | 6.5 | 15.6 | 5.0 | 23.2 | 9.6 | 3.5 | 6/72 |
| 87-071 | 11 | 150.0 | 6.9 | 16.9 | 5.4 | 25.3 | 10.4 | 3.7 | 6/72 |
| 87-072 | 12 | 160.0 | 7.3 | 18.3 | 5.5 | 27.2 | 11.3 | 3.9 | 6/72 |
| 87-073 | 13 | 170.0 | 7.8 | 19.7 | 5.9 | 29.4 | 12.1 | 4.1 | 6/54 |
| 87-074 | 14 | 180.0 | 8.3 | 21.2 | 6.2 | 31.5 | 12.9 | 4.4 | 6/54 |
| 87-075 | 15 | 190.0 | 8.6 | 22.5 | 6.4 | 33.2 | 13.5 | 4.6 | 6/54 |
| 87-076 | 16 | 200.0 | 8.9 | 24.0 | 6.7 | 34.7 | 13.9 | 4.8 | 6/54 |
| 87-077 | 17 | 210.0 | 9.3 | 25.3 | 6.9 | 36.5 | 14.6 | 5.0 | 6/54 |
| 87-078 | 18 | 220.0 | 9.9 | 26.8 | 7.2 | 38.7 | 15.3 | 5.2 | 6/54 |
| 87-079 | 19 | 230.0 | 10.5 | 28.1 | 7.4 | 40.7 | 15.9 | 5.4 | 6/60 |
| 87-080 | 20 | 240.0 | 10.9 | 29.7 | 7.7 | 43.1 | 16.8 | 5.6 | 4/24 |
| 87-081 | 21 | 250.0 | 11.3 | 31.3 | 8.0 | 44.8 | 17.3 | 5.7 | 4/24 |
| 87-082 | 22 | 260.0 | 11.5 | 32.6 | 8.2 | 46.9 | 18.0 | 5.8 | 4/24 |
| 87-083 | 23 | 270.0 | 11.8 | 34.2 | 8.4 | 48.3 | 18.7 | 5.9 | 4/24 |
| 87-084 | 24 | 280.0 | 12.1 | 35.5 | 8.7 | 50.4 | 19.5 | 6.0 | 4/24 |
| 87-085-1 | 25 | 290.0 | 12.5 | 36.9 | 8.9 | 52.0 | 20.1 | 6.2 | 4/24 |
| 87-086-1 | 26 | 300.0 | 12.8 | 38.2 | 9.2 | 53.6 | 21.0 | 6.4 | 4/24 |
| 87-087 | 27 | 310.0 | 13.1 | 39.6 | 9.4 | 55.7 | 21.8 | 6.6 | 4/24 |
| 87-088-1 | 28 | 320.0 | 13.3 | 40.9 | 9.7 | 57.6 | 22.5 | 6.8 | 2/12 |
| 87-089-1 | 29 | 330.0 | 13.5 | 42.3 | 9.9 | 59.7 | 23.3 | 7.0 | 2/12 |
| 87-090 | 30 | 340.0 | 13.7 | 43.7 | 10.1 | 61.8 | 23.9 | 7.1 | 2/12 |
| 87-092 | 32 | 360.0 | 14.3 | 46.4 | 10.4 | 65.8 | 24.8 | 7.3 | 2/12 |
| 87-263 | 33 | 408.0 | 14.5 | 11.0 | 48.0 | 62 | 23.0 | 11.0 | 1/30 |
| 87-264 | 34 | 408.0 | 14.5 | 11.0 | 48.0 | 62 | 23.0 | 11.0 | 1/25 |
| 87-265 | 35 | 430.0 | 17.0 | 15.0 | 56.5 | 70 | 26.0 | 12.0 | 1/25 |
| 87-266 | 36 | 430.0 | 17.0 | 15.0 | 56.5 | 70 | 26.0 | 12.0 | 1/25 |
| 87-268 | 38 | 460.0 | 17.0 | 15.0 | 56.5 | 70 | 26.0 | 12.0 | 1/20 |
| 87-271 | 41 | 490.0 | 19.0 | 16.5 | 65.0 | 83 | 29.0 | 14.0 | 1/15 |
| 87-272 | 42 | 490.0 | 19.0 | 16.5 | 65.0 | 83 | 29.0 | 14.0 | 1/15 |
| 87-276 | 46 | 540.0 | 19.0 | 16.5 | 65.0 | 83 | 29.0 | 14.0 | 1/15 |
| 87-278 | 48 | 563.0 | 24.0 | 19.0 | 72.5 | 94 | 35.0 | 15.0 | 1/10 |
| 87-280 | 50 | 587.0 | 24.0 | 19.0 | 72.5 | 94 | 35.0 | 15.0 | 1/10 |

OPEN END WRENCH

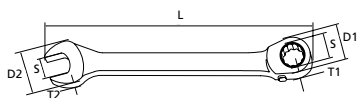


- Made of Chrome Vanadium Steel
- Ends are slanted 15° for quick operation
- Two sizes per wrench
- Anti-slip feature

| SKU # | Size | L mm | A mm | B mm | C mm | H mm | T mm | Weight (g) | Box/CTN |
|----------|-------|-------|------|------|------|------|------|------------|---------|
| 87-096-1 | 6x7 | 122.0 | 16.2 | 18.1 | 3.3 | 8.6 | 2.2 | 25 | 6/90 |
| 87-097-1 | 8x9 | 140.0 | 20.2 | 22.2 | 3.6 | 10.7 | 2.5 | 35 | 6/120 |
| 84-758 | 8x10 | 140.0 | 20.2 | 22.2 | 3.6 | 10.7 | 2.5 | 43 | 20/500 |
| 87-098-1 | 10x11 | 156.0 | 23.6 | 25.6 | 4.6 | 11.7 | 3.0 | 50 | 20/200 |
| 84-759 | 10x12 | 156.0 | 23.6 | 25.6 | 4.6 | 11.7 | 3.0 | 63 | 20/200 |
| 87-099-1 | 12x13 | 172.0 | 27.4 | 28.6 | 5.1 | 12.7 | 3.4 | 75 | 20/200 |
| 84-760 | 12x14 | 180.0 | 28.6 | 31.6 | 5.1 | 13.7 | 3.8 | 90 | 20/200 |
| 87-100-1 | 14x15 | 188.0 | 31.5 | 34.0 | 5.6 | 14.2 | 3.8 | 105 | 20/200 |
| 84-764 | 14x17 | 188.0 | 31.5 | 34.0 | 5.6 | 14.2 | 3.8 | 130 | 20/200 |
| 87-101-1 | 16x17 | 204.0 | 36.1 | 38.4 | 6.1 | 15.8 | 4.3 | 155 | 20/100 |
| 84-765 | 17x19 | 220.0 | 38.6 | 42.1 | 6.5 | 16.8 | 4.7 | 173 | 12/120 |
| 87-102-1 | 18x19 | 220.0 | 38.6 | 42.1 | 6.5 | 16.8 | 4.7 | 190 | 12/120 |
| 84-766 | 19x21 | 234.0 | 42.0 | 46.1 | 7.2 | 18.3 | 4.8 | 205 | 12/60 |
| 87-103-1 | 20x22 | 234.0 | 42.0 | 46.1 | 7.2 | 18.3 | 4.8 | 220 | 12/60 |
| 87-104-1 | 21x23 | 247.0 | 45.4 | 48.6 | 7.5 | 19.3 | 4.8 | 245 | 12/60 |
| 84-767 | 22x24 | 247.0 | 45.4 | 48.6 | 7.5 | 19.3 | 4.8 | 275 | 12/60 |
| 87-105-1 | 24x27 | 266.0 | 50.8 | 56.3 | 8.2 | 20.8 | 5.4 | 305 | 4/32 |
| 87-106-1 | 25x28 | 285.0 | 53.8 | 62.3 | 8.4 | 22.4 | 5.6 | 340 | 2/36 |
| 87-107-1 | 30x32 | 302.0 | 60.3 | 65.3 | 9.1 | 24.4 | 6.1 | 465 | 2/32 |

| SKU # | Size | L mm | A mm | B mm | C mm | H mm | T mm | Weight (g) | Box/CTN |
|----------|----------------|-------|------|------|------|------|------|------------|---------|
| 87-676-1 | 1/4"x5/16" | 123.0 | 15.5 | 18.0 | 3.7 | 8.0 | 2.9 | 25 | 6/72 |
| 87-677-1 | 5/16"x3/8" | 140.0 | 20.4 | 22.7 | 4.0 | 10.2 | 3.1 | 35 | 6/120 |
| 87-678-1 | 3/8"x7/16" | 156.0 | 24.9 | 27.1 | 5.0 | 11.7 | 3.4 | 50 | 6/72 |
| 87-679-1 | 7/16"x1/2" | 172.0 | 29.2 | 31.2 | 5.5 | 13.1 | 3.8 | 75 | 6/90 |
| 87-705-1 | 1/2"x9/16" | 180.0 | 31.3 | 33.3 | 5.5 | 14.0 | 4.0 | 85 | 6/90 |
| 87-680-1 | 9/16"x5/8" | 188.5 | 33.3 | 35.3 | 5.9 | 14.8 | 4.1 | 105 | 6/48 |
| 87-681-1 | 5/8"x11/16" | 204.0 | 37.1 | 38.9 | 6.3 | 15.6 | 4.4 | 155 | 6/54 |
| 87-682-1 | 11/16"x3/4" | 221.0 | 40.9 | 42.8 | 6.7 | 16.6 | 4.6 | 190 | 6/24 |
| 87-683-1 | 13/16"x7/8" | 237.0 | 44.8 | 48.8 | 7.1 | 18.5 | 4.9 | 220 | 6/48 |
| 87-706-1 | 15/16"x1" | 255.0 | 50.8 | 56.8 | 7.9 | 21.4 | 5.3 | 270 | 4/32 |
| 87-684-1 | 15/16"x1-1/16" | 263.0 | 52.8 | 59.1 | 8.1 | 22.1 | 5.4 | 305 | 4/24 |
| 87-685-1 | 1"x1-1/8" | 279.0 | 54.8 | 61.3 | 8.5 | 23.0 | 5.7 | 340 | 2/12 |
| 87-686-1 | 1-1/8"x1-1/4" | 298.0 | 65.4 | 69.8 | 9.0 | 24.6 | 6.0 | 465 | 2/12 |

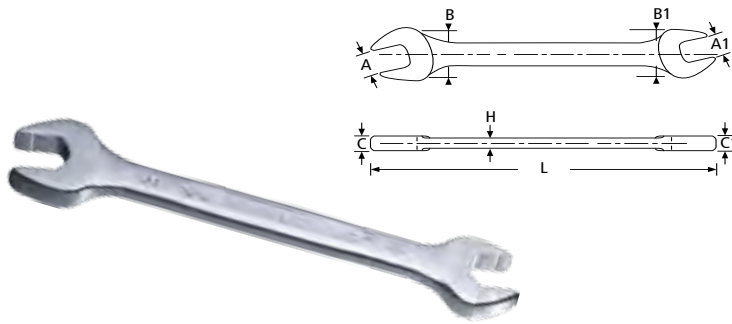
OPEN END WRENCH



- Chrome-vanadium special heat-treat provides a strong thin wall
- 72-teeth ratcheting system provides high torque and 5° of operation in tight areas
- An unique 15° offset design enables access to countersink bolts
- Worldwide patent

| SKU # | Size | D1 mm | D2 mm | T1 mm | T2 mm | L mm | Box/CTN |
|----------|------|-------|-------|-------|-------|------|---------|
| 79-064-S | 8 | 18.0 | 17.0 | 7.4 | 4.7 | 144 | 10/100 |
| 79-065-S | 9 | 19.5 | 18.8 | 7.4 | 5.3 | 150 | 10/100 |
| 79-066-S | 10 | 21.0 | 21.7 | 8.4 | 5.7 | 158 | 10/100 |
| 79-067 | 11 | 22.0 | 23.0 | 8.4 | 6.1 | 165 | 10/100 |
| 79-068-S | 12 | 23.5 | 25.2 | 8.4 | 6.4 | 173 | 10/100 |
| 79-069-S | 13 | 25.0 | 26.5 | 8.4 | 6.6 | 182 | 10/100 |
| 79-070-S | 14 | 26.5 | 29.5 | 8.4 | 7.3 | 190 | 10/100 |
| 79-071 | 15 | 28.0 | 31.3 | 8.4 | 7.5 | 202 | 10/100 |
| 79-072 | 16 | 29.0 | 33.4 | 10.0 | 7.7 | 215 | 10/100 |
| 79-073 | 17 | 30.5 | 36.3 | 10.0 | 7.9 | 229 | 10/100 |
| 79-074 | 18 | 32.0 | 38.0 | 11.5 | 8.4 | 240 | 10/100 |
| 79-075 | 19 | 34.0 | 39.0 | 11.5 | 8.7 | 252 | 10/100 |

DOUBLE OPEN-END WRENCH

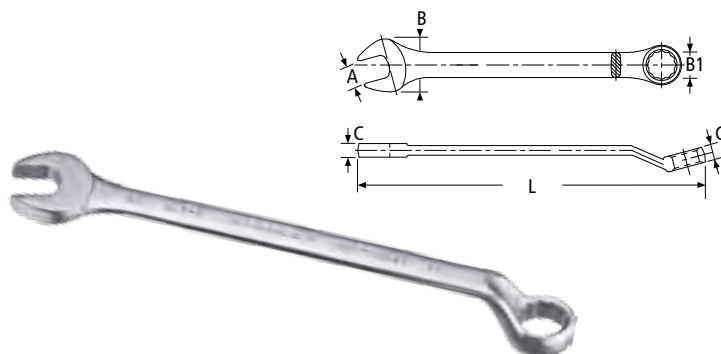


- ASME B107.17M, ASME B107.100, ASME B107.39
- Anti-slip design on open-end
- Matt finishing
- Chrome Vanadium steel



| Retail SKU # | Bulk SKU # | Description | A (mm) | A1 (mm) | L (mm) | B (mm) | B1 (mm) | C (mm) | C1 (mm) | Weight (kg) | Box Qty |
|--------------|--------------|--------------------------|--------|---------|--------|--------|---------|--------|---------|-------------|---------|
| STMT72837-8 | STMT72837-8B | Open-End Wrench 6X7 mm | 6 | 7 | 108.2 | 14.4 | 17.3 | 5.0 | 5.3 | 0.024 | 10 |
| STMT72838-8 | STMT72838-8B | Open-End Wrench 7X9 mm | 7 | 9 | 128.2 | 17.7 | 19.8 | 5.4 | 5.7 | 0.035 | 10 |
| STMT72839-8 | STMT72839-8B | Open-End Wrench 8X10 mm | 8 | 10 | 128.8 | 17.7 | 19.8 | 5.4 | 5.7 | 0.035 | 10 |
| STMT72840-8 | STMT72840-8B | Open-End Wrench 10X12 mm | 10 | 12 | 133.0 | 21.1 | 24.4 | 5.9 | 6.2 | 0.051 | 10 |
| STMT72841-8 | STMT72841-8B | Open-End Wrench 10X11 mm | 10 | 11 | 133.0 | 21.1 | 24.4 | 5.9 | 6.2 | 0.051 | 10 |
| STMT72842-8 | STMT72842-8B | Open-End Wrench 11X13mm | 11 | 13 | 146.2 | 24.8 | 27.8 | 6.6 | 6.9 | 0.075 | 10 |
| STMT72843-8 | STMT72843-8B | Open-End Wrench 12X14 mm | 12 | 14 | 156.8 | 27.8 | 31.1 | 7.8 | 8.2 | 0.110 | 10 |
| STMT72844-8 | STMT72844-8B | Open-End Wrench 12X13 mm | 12 | 13 | 146.2 | 24.8 | 27.8 | 6.6 | 6.9 | 0.075 | 10 |
| STMT72845-8 | STMT72845-8B | Open-End Wrench 14X15 mm | 14 | 15 | 179.0 | 31.1 | 34.4 | 7.8 | 8.2 | 0.133 | 10 |
| STMT72846-8 | STMT72846-8B | Open-End Wrench 14X17mm | 14 | 17 | 179.0 | 31.1 | 34.4 | 7.8 | 8.2 | 0.133 | 10 |
| STMT72847-8 | STMT72847-8B | Open-End Wrench 16X17mm | 16 | 17 | 198.1 | 34.4 | 37.8 | 8.3 | 8.7 | 0.176 | 10 |
| STMT72848-8 | STMT72848-8B | Open-End Wrench 18X19mm | 18 | 19 | 221.9 | 37.8 | 41.1 | 8.6 | 9.0 | 0.218 | 10 |
| STMT72849-8 | STMT72849-8B | Open-End Wrench 17X19 mm | 17 | 19 | 221.9 | 37.8 | 41.1 | 8.6 | 9.0 | 0.219 | 10 |
| STMT72850-8 | STMT72850-8B | Open-End Wrench 19X21mm | 19 | 21 | 237.7 | 41.1 | 47.8 | 10.0 | 10.4 | 0.317 | 10 |
| STMT72851-8 | STMT72851-8B | Open-End Wrench 20X22 mm | 20 | 22 | 237.7 | 41.1 | 47.8 | 10.0 | 10.4 | 0.315 | 10 |
| STMT72852-8 | STMT72852-8B | Open-End Wrench 21X23 mm | 21 | 23 | 253.2 | 44.4 | 47.8 | 10.5 | 10.9 | 0.353 | 10 |
| STMT72853-8 | STMT72853-8B | Open-End Wrench 22X24 mm | 22 | 24 | 253.2 | 44.4 | 47.8 | 10.5 | 10.9 | 0.351 | 10 |
| - | STMT72854-8B | Open-End Wrench 24X26 mm | 24 | 26 | 271.9 | 51.1 | 52.8 | 10.9 | 11.3 | 0.452 | 5 |
| - | STMT72856-8B | Open-End Wrench 27X32mm | 27 | 32 | 340.0 | 56.0 | 67.0 | 12.6 | 13.0 | 0.745 | 5 |

OFFSET COMBINATION WRENCH

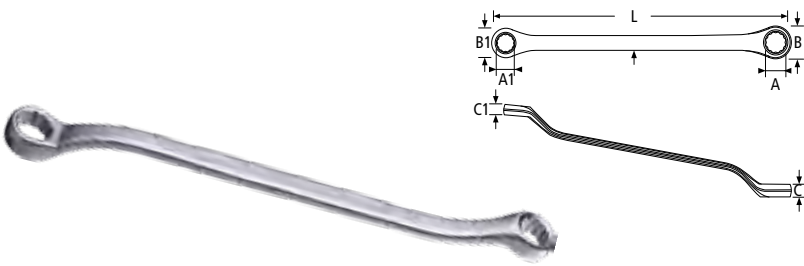


- DIN 3133 B, DIN 17350, ISO 1711
- Chrome vanadium steel
- Matt finishing
- 70° Off-set



| SKU # | Description | A (mm) | L (mm) | B (mm) | B' (mm) | C (mm) | C' (mm) | Weight (kg) | Box Qty |
|---------|--------------------------------|--------|--------|--------|---------|--------|---------|-------------|---------|
| 86-0430 | Offset Combination Wrench 30mm | 30 | 382.5 | 61.5 | 42 | 9.9 | 14.4 | 0.630 | 2 |
| 86-0432 | Offset Combination Wrench 32mm | 32 | 404 | 66 | 44.5 | 10.1 | 15.2 | 0.779 | 2 |
| 86-0436 | Offset Combination Wrench 36mm | 36 | 449 | 76 | 53.1 | 13.1 | 21.8 | 1.390 | 2 |

OFFSET DOUBLE RING WRENCH

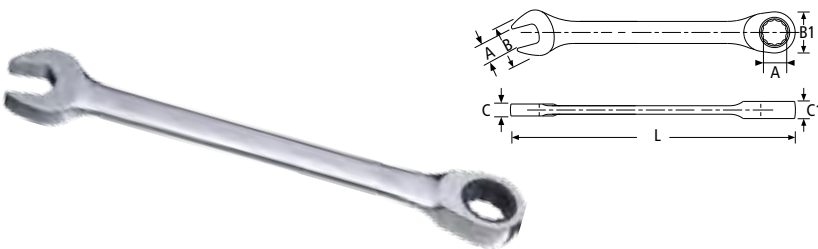


- ASME B107.17M, ASME B107.100, ASME, B107.9
- Maxi-Drive™ system helps reduce fastener rounding
- Matt finishing
- Chrome vanadium steel
- 45° Off-set



| Retail SKU # | Bulk SKU # | Description | Size (mm) | L (mm) | A (mm) | AI (mm) | B (mm) | BI (mm) | C (mm) | CI (mm) | Weight (kg) | Box Qty |
|--------------|--------------|-----------------------------------|-----------|--------|--------|---------|--------|---------|--------|---------|-------------|---------|
| STMT72857-8 | STMT72857-8B | Offset Double Ring Wrench - 6x7 | 6x7 | 161.8 | 6.1 | 8 | 11 | 11.8 | 6.2 | 6.2 | 0.04 | 10 |
| STMT72858-8 | STMT72858-8B | Offset Double Ring Wrench - 8x9 | 8x9 | 178.8 | 8 | 9.5 | 13.6 | 14.4 | 6.7 | 6.7 | 0.05 | 10 |
| STMT72859-8 | STMT72859-8B | Offset Double Ring Wrench - 8x10 | 8x10 | 178.8 | 8 | 9.5 | 13.6 | 14.4 | 6.7 | 6.7 | 0.05 | 10 |
| STMT72860-8 | STMT72860-8B | Offset Double Ring Wrench - 10x12 | 10x12 | 195.8 | 9.5 | 11 | 15.5 | 17.9 | 7.2 | 7.2 | 0.07 | 10 |
| STMT72861-8 | STMT72861-8B | Offset Double Ring Wrench - 11x13 | 11x13 | 214.8 | 11 | 12.6 | 17.9 | 20.3 | 8.3 | 8.3 | 0.10 | 10 |
| STMT72862-8 | STMT72862-8B | Offset Double Ring Wrench - 12x14 | 12x14 | 230.8 | 12.6 | 14 | 20.3 | 23.2 | 9.5 | 9.5 | 0.12 | 10 |
| STMT72863-8 | STMT72863-8B | Offset Double Ring Wrench - 14x15 | 14x15 | 246.8 | 14 | 15.8 | 23.2 | 24.8 | 10.3 | 10.3 | 0.17 | 10 |
| STMT72864-8 | STMT72864-8B | Offset Double Ring Wrench - 14x17 | 14x17 | 246.8 | 14 | 15.8 | 23.2 | 24.8 | 10.3 | 10.3 | 0.15 | 10 |
| STMT72865-8 | STMT72865-8B | Offset Double Ring Wrench - 16x17 | 16x17 | 255.8 | 15.8 | 17.2 | 24.6 | 26.1 | 10.8 | 10.8 | 0.18 | 10 |
| STMT72867-8 | STMT72867-8B | Offset Double Ring Wrench - 18x19 | 18x19 | 295.8 | 17.2 | 19 | 26.1 | 28.5 | 12.2 | 12.2 | 0.26 | 5 |
| STMT72868-8 | STMT72868-8B | Offset Double Ring Wrench - 19x21 | 19x21 | 310.8 | 19 | 22.1 | 28.5 | 33.4 | 17 | 17 | 0.33 | 5 |
| STMT73575-8 | STMT73575-8B | Offset Double Ring Wrench - 21x23 | 21x23 | 320.8 | 20.7 | 22.1 | 30.7 | 33.4 | 18 | 18 | 0.39 | 5 |
| STMT72869-8 | STMT72869-8B | Offset Double Ring Wrench - 22x24 | 22x24 | 320.8 | 20.7 | 22.1 | 30.7 | 33.4 | 18 | 18 | 0.38 | 5 |
| - | STMT72870-8B | Offset Double Ring Wrench - 24x27 | 24x27 | 350.8 | 23.7 | 25.4 | 35.1 | 36.8 | 20 | 20 | 0.48 | 5 |

RATCHETING WRENCH

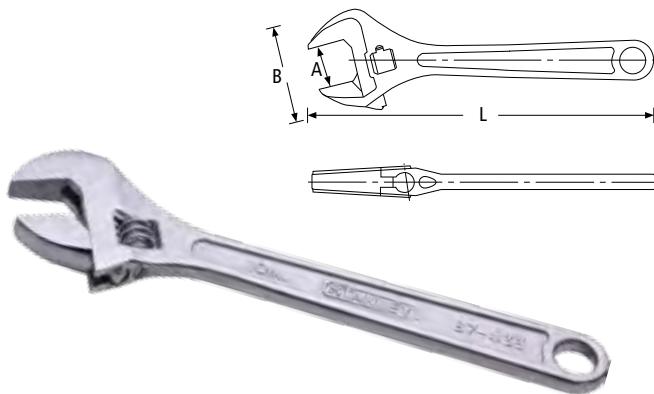


- ISO 1711-1, ISO 691, DIN 3113
- Maxi-Drive™ system helps reduce fastener rounding
- 5° increment
- Chrome vanadium steel
- Full polished finishing



| SKU # | Description | Jaw (mm) | L (mm) | B (mm) | BI (mm) | C (mm) | CI (mm) | Weight (kg) | Box Qty |
|--------------|-------------------------|----------|--------|--------|---------|--------|---------|-------------|---------|
| STMT89934-8B | Ratcheting Wrench 8 mm | 8 | 111.6 | 19.4 | 16.8 | 19.4 | 7 | 0.028 | 10 |
| STMT89935-8B | Ratcheting Wrench 9 mm | 9 | 123.6 | 20.7 | 19 | 20.6 | 7.3 | 0.04 | 10 |
| STMT89936-8B | Ratcheting Wrench 10 mm | 10 | 131.2 | 21.9 | 20 | 21.7 | 7.8 | 0.048 | 10 |
| STMT80012-8B | Ratcheting Wrench 11 mm | 11 | 148.2 | 24.2 | 20.8 | 24.3 | 8.2 | 0.062 | 10 |
| STMT89937-8B | Ratcheting Wrench 12 mm | 12 | 155.2 | 25.7 | 23 | 25.4 | 8.7 | 0.08 | 10 |
| STMT89938-8B | Ratcheting Wrench 13 mm | 13 | 162.5 | 27.2 | 25 | 27.2 | 9 | 0.086 | 10 |
| STMT89939-8B | Ratcheting Wrench 14 mm | 14 | 182.4 | 30.8 | 27 | 30.7 | 9.5 | 0.12 | 10 |
| STMT89940-8B | Ratcheting Wrench 15 mm | 15 | 192.2 | 32.2 | 28 | 32.1 | 9.9 | 0.134 | 10 |
| STMT89941-8B | Ratcheting Wrench 16 mm | 16 | 202.2 | 34 | 30 | 33.8 | 10.4 | 0.15 | 10 |
| STMT89942-8B | Ratcheting Wrench 17 mm | 17 | 222.5 | 37.7 | 31.7 | 37.5 | 10.8 | 0.18 | 10 |
| STMT89943-8B | Ratcheting Wrench 18 mm | 18 | 234.1 | 39.1 | 32.9 | 39.3 | 11.2 | 0.2 | 10 |
| STMT89944-8B | Ratcheting Wrench 19 mm | 19 | 246.1 | 41.3 | 34 | 40.5 | 11.6 | 0.222 | 10 |

ADJUSTABLE WRENCH

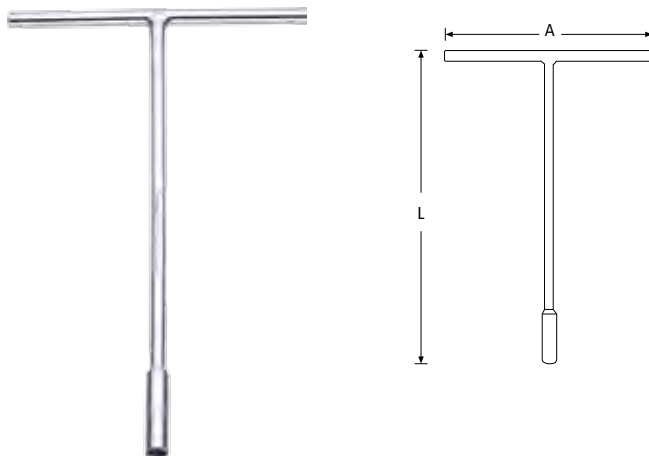


- ASME B107.100, ASME B107.8
- Adjustable jaw design allows tool to grip many fastener sizes
- Knurl adjusting mechanism for quick and precise adjustments
- Built-in tension spring stabilizes movable jaw
- Forged chrome vanadium steel is strong and durable
- Polished chrome head and chrome-plated body for anti-corrosion protection
- Laser-etched SAE and mm jaw scale for easy size adjustment
- Lightweight handle design



| SKU # | Description | A (mm) | L (mm) | B (mm) | Weight (kg) | Box Qty |
|-------------|-------------------|--------|-------------|--------|-------------|---------|
| 87-430-1-5 | Adj. Wrench 100mm | - | 100mm / 4" | - | - | 6 |
| STMT87431-8 | Adj. Wrench 150mm | ≤19.3 | 150mm / 6" | 19 | 0.14 | 6 |
| STMT87432-8 | Adj. Wrench 200mm | ≤24 | 200mm / 8" | 24 | 0.28 | 6 |
| STMT87433-8 | Adj. Wrench 250mm | ≤30 | 250mm / 10" | 29 | 0.41 | 6 |
| STMT87434-8 | Adj. Wrench 300mm | ≤36 | 300mm / 12" | 34 | 0.71 | 6 |
| STMT87435-8 | Adj. Wrench 375mm | ≤46 | 375mm / 15" | 43 | 1.42 | 4 |

T - HANDLE



- ASME B107.5M, DIN 3124, ISO 691
- Cr-V steel
- Full polished finishing
- For deep access
- Thin wall socket design



| SKU # | Description | Size (mm) | L (mm) | A (mm) | Weight (kg) | Box Qty |
|-------------|---------------|-----------|--------|--------|-------------|---------|
| STMT93302-8 | T-handle 8mm | 8 | 310 | 200 | 0.306 | 10 |
| STMT93303-8 | T-handle 9mm | 9 | 310 | 200 | 0.312 | 10 |
| STMT93304-8 | T-handle 10mm | 10 | 310 | 200 | 0.32 | 10 |
| STMT93305-8 | T-handle 11mm | 11 | 310 | 200 | 0.322 | 10 |
| STMT93306-8 | T-handle 12mm | 12 | 310 | 200 | 0.326 | 10 |
| STMT93307-8 | T-handle 13mm | 13 | 310 | 250 | 0.36 | 10 |
| STMT93308-8 | T-handle 14mm | 14 | 310 | 250 | 0.374 | 10 |
| STMT93309-8 | T-handle 17mm | 17 | 310 | 250 | 0.552 | 10 |
| STMT93311-8 | T-handle 19mm | 19 | 310 | 250 | 0.564 | 10 |

WRENCHES PACKAGING OPTIONS

SINGLE, BULK OR TUBE OPTIONS

As you would expect from a global leader in the supply of professional handtools, the **STANLEY® AUTOMOTIVE** range uses the very latest packaging technology to ensure that end users and distributors have a wide choice of buying options.

Designed for durability in transit and display, the new packaging options are more efficient in material usage than ever before - meaning less waste and more recyclable materials.

SINGLE RETAIL PACK

Bold and attractive single packs exploit key features and provide clear user information. Minimal packaging allows full tactile opportunities with security.



BULK PACK

For wholesalers, bulk packs represent great value. Sturdy boxes with bold branding and full EPOS labelling help to keep stock under control. Shipper and promotional packs are also available for some product lines.



TOOL TUBE

For larger environments, the multi tool tubes are the perfect solution. Every pack is clearly marked with key icons and features. This unique packaging helps the product to stand out on the shelf.

