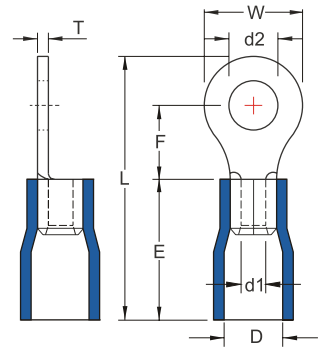


## VINYL-INSULATED RING TERMINALS



**MAXIMUM ELECTRIC CURRENT:**

A.W.G.	22	20	18	16
AMP.	9	12	17	18

**MAXIMUM ELECTRICAL RATING: 105 °C 600 VOLTS MAX.**

**INSULATION MATERIAL: VINYL**

**INSULATION COLOR:**

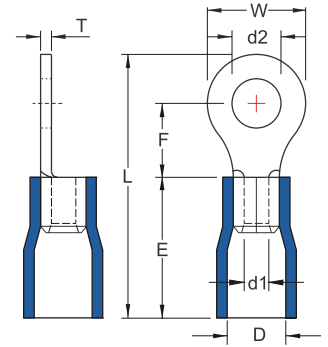
22-16 A.W.G.: █ RED

**TERMINAL MATERIAL: COPPER**

WIRE RANGE A.W.G. mm <sup>2</sup>	ITEM NO.		STUD SIZE		DIMENSION <sup>inch</sup> / <sub>mm</sub>						CRIMPING TOOL	Q'TY BOX				
	BRAZED SEAM	BUTTED SEAM	d2		W	F	L	E	D	d1			T			
22-16 A.W.G.	RVB1-2	RV1-2	#2	.087 2.2	.217 5.5		.197	.681						IZUMI MODEL 34 WITH DIE INDEX COLOR:RED	1000	
	RVB1-2.5	RV1-2.5	#2	.095 2.4			.189	.685							1000	
	RVB1-3.2	RV1-3.2 *	#4	.126 3.2			.197	.689							1000	
	RVBS1-3.7	RVS1-3.7 *	#6	.146 3.7	.197	.689	1000									
	RVBM1-3.7	RVM1-3.7 *	#6	.146 3.7	.260	.248	.764	19.4							1000	
	RVBL1-3.7	RVL1-3.7 *	#6	.146 3.7	.315	.276	.819	20.8							1000	
	RVBS1-4	RVS1-4 *	#8	.169 4.3	.260	.248	.764	19.4							1000	
	RVBL1-4	RVL1-4 *	#8	.169 4.3	.315	.276	.819	20.8							1000	
	RVB1-5	RV1-5 *	#10	.209 5.3	.315	.276	.819	20.8							.030 0.75	1000
	RVBL1-5	RVL1-5 *	#10	.209 5.3			1.055	.394							.157	.067
0.5-1.5 mm <sup>2</sup>	RVB1-6	RV1-6 *	1/4	.252 6.4	.457 11.6	.433 11.0	26.8	10.0	4.0	1.7	1000					
	RVB1-7	RV1-7 *	5/16	.291 7.4			1.063				1000					
	RVB1-8	RV1-8 *	5/16	.331 8.4			1.055				1000					
	RVB1-10	RV1-10 *	3/8	.413 10.5	.535 13.6	.547 13.9	1.201 30.5				1000					
	RVBL1-10	RVL1-10	3/8	.413 10.5		.630	1.402 35.6				1000					
	RVB1-12	RV1-12	1/2	.512 13.0	.756 19.2		1.394 35.4				1000					
	RVB1-13	RV1-13	9/16	.551 14.0		.543	13.8				1000					
	RVB1-14	RV1-14	9/16	.591 15.0							1000					
	RVB1-16	RV1-16	5/8	.669 17.0	1.063 27.0	.827 21.0	1.744 44.3			.031 0.8	1000					
	RVB1-20	RV1-20	3/4	.827 21.0							1000					

UL cUL ALL LISTED  
 \*: ADDITIONAL SP CERTIFIED

# VINYL-INSULATED RING TERMINALS



MAXIMUM ELECTRIC CURRENT:

A.W.G.	16	14
AMP.	18	30

MAXIMUM ELECTRICAL RATING: 105°C 600 VOLTS MAX.

INSULATION MATERIAL: VINYL

INSULATION COLOR:

16-14 A.W.G.: BLUE

TERMINAL MATERIAL: COPPER

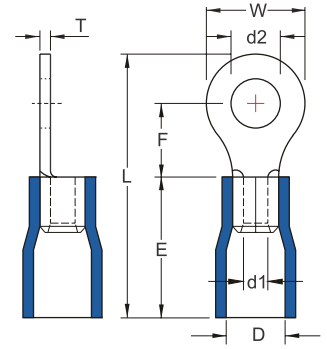
WIRE RANGE A.W.G. mm <sup>2</sup>	ITEM NO.		STUD SIZE		DIMENSION <sup>inch</sup> / <sub>mm</sub>						CRIMPING TOOL	Q'TY BOX		
	BRAZED SEAM	BUTTED SEAM	d2		W	F	L	E	D	d1			T	
16-14 A.W.G.	RVB2-2	RV2-2	#2	.087 2.2			.709 18.0					IZUMI MODEL 34 WITH DIE INDEX COLOR:BLUE  OR  K.S. MODEL KST2000A <b>HRI-126J</b> WITH DIE INDEX COLOR:BLUE	1000	
	RVB2-2.5	RV2-2.5	#2	.098 2.5	.260 6.6	.189 4.8							1000	
	RVB2-3.2	RV2-3.2 *	#4	.126 3.2			.701 17.8						1000	
	RVBS2-3.2	RVS2-3.2	#4	.126 3.2	.217 5.5	.220 5.6	.724 18.4						1000	
	RVBS2-3.7	RVS2-3.7 *	#6	.146 3.7	.260 6.6	.189 4.8	.701 17.8						1000	
	RVBM2-3.7	RVM2-3.7 *	#6	.146 3.7		.243 6.3	.764 19.4						1000	
	RVBL2-3.7	RVL2-3.7 *	#6	.146 3.7	.335 8.5	.291 7.4	.858 21.8						1000	
	RVBS2-4	RVS2-4 *	#8	.169 4.3	.260 6.6	.243 6.3	.764 19.4						1000	
	RVBL2-4	RVL2-4 *	#8	.169 4.3	.335 8.5	.307 7.8								1000
	RVBS2-5	RVS2-5 *	#10	.209 5.3										
1.5-2.5 mm <sup>2</sup>	RVBL2-5	RVL2-5 *	#10	.209 5.3	.374 9.5	.287 7.3		.394 10.0	.177 4.5	.091 2.3	.031 0.8		1000	
	RVB2-6	RV2-6 *	1/4	.252 6.4			1.055 26.8						1000	
	RVB2-7	RV2-7	5/16	.291 7.4	.472 12.0	.433 11.0	1.063 27.0						1000	
	RVB2-8	RV2-8 *	5/16	.331 8.4			1.055 26.8						1000	
	RVB2-9	RV2-9	5/16	.386 9.8	.535 13.6	.547 13.9	1.201 30.5						1000	
	RVB2-10	RV2-10	3/8	.413 10.5										1000
	RVBL2-10	RVL2-10	3/8	.413 10.5	.756 19.2	.630 16.0	1.402 35.6						1000	
	RVB2-12	RV2-12	1/2	.512 13.0					1.394 35.4					1000
	RVB2-14	RV2-14	9/16	.591 15.0									1000	
	RVB2-16	RV2-16	5/8	.669 17.0	1.063 27.0	.827 21.0	1.744 44.3						1000	
RVB2-20	RV2-20	3/4	.827 21.0								1000			



ALL LISTED

\*: ADDITIONAL CERTIFIED

# VINYL-INSULATED RING TERMINALS



**MAXIMUM ELECTRIC CURRENT:**

A.W.G.	14	12
AMP.	30	35

**MAXIMUM ELECTRICAL RATING: 105°C 600 VOLTS MAX.**

**INSULATION MATERIAL: VINYL**

**INSULATION COLOR:**

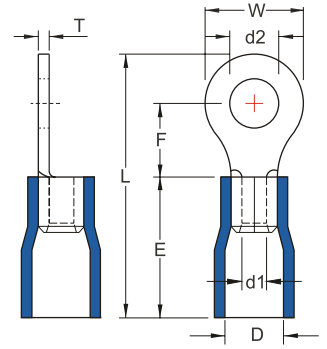
14-12 A.W.G.: BLACK

**TERMINAL MATERIAL: COPPER**

WIRE RANGE A.W.G. mm <sup>2</sup>	ITEM NO.		STUD SIZE		DIMENSION <sup>inch</sup> / <sub>mm</sub>						CRIMPING TOOL	Q'TY BOX	
	BRAZED SEAM	BUTTED SEAM	d2		W	F	L	E	D	d1			T
14-12 A.W.G.  2.5-4 mm <sup>2</sup>	RVBS3-3.2	RVS3-3.2	#4	.126 3.2	.217 5.5		.937 23.8					IZUMI MODEL 214 WITH DIE INDEX COLOR:BLACK  OR K.S. MODEL KST2000A <b>HRI-126J</b> WITH DIE INDEX COLOR:BLACK	1000
	RVB3-3.2	RV3-3.2	#4	.126 3.2	.315 8.0		.984 25.0						1000
	RVBS3-4	RVS3-4	#8	.169 4.3	.283 7.2	.315 8.0	.969 24.6						1000
	RVB3-4	RV3-4	#8	.169 4.3		.315 8.0	.984 25.0						1000
	RVBS3-5	RVS3-5	#10	.209 5.3									1000
	RVBM3-5	RVM3-5	#10	.209 5.3	.374 9.5	.362 9.2	1.063 27.0	.512 13.0	.248 6.3	.118 3.0	.039 1.0		1000
	RVBL3-5	RVL3-5	#10	.209 5.3	.472 12.0	.370 9.4	1.118 28.4						1000
	RVB3-6	RV3-6	1/4	.252 6.4									1000
	RVB3-8	RV3-8	5/16	.331 8.4									1000
	RVB3-10	RV3-10	3/8	.513 10.5	.591 15.0	.524 13.3	1.339 34.0						1000
	RVB3-12	RV3-12	1/2	.512 13.0	.756 19.2	.630 16.0	1.520 38.6					1000	

UL cUL ALL LISTED

# VINYL-INSULATED RING TERMINALS



**MAXIMUM ELECTRIC CURRENT:**

A.W.G.	12	10
AMP.	35	50

**MAXIMUM ELECTRICAL RATING: 105°C 600 VOLTS MAX.**

**INSULATION MATERIAL: VINYL**

**INSULATION COLOR:**

12-10 A.W.G.: YELLOW

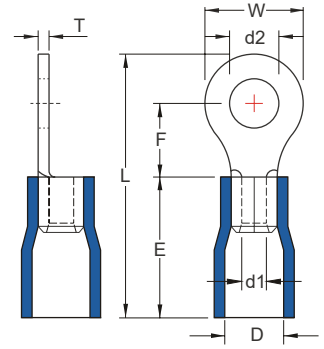
**TERMINAL MATERIAL: COPPER**

WIRE RANGE A.W.G. mm <sup>2</sup>	ITEM NO.		STUD SIZE		DIMENSION <small>inch mm</small>						CRIMPING TOOL	Q'TY BOX	
	BRAZED SEAM	BUTTED SEAM		d2	W	F	L	E	D	d1			T
12-10 A.W.G.	RVB5-3.2	RV5-3.2	#4	.126 3.2	.283 7.2	.228 5.8	.894 22.7	.512 13.0	.252 6.4	.134 3.4	.039 1.0	IZUMI MODEL 5 WITH DIE INDEX COLOR:YELLOW  OR K.S. MODEL KST2000A <b>HRI-126J</b> WITH DIE INDEX COLOR:YELLOW	500
	RVB5-3.7	RV5-3.7 *	#6	.146 3.7		.240 6.1							500
	RVBL5-3.7	RVL5-3.7	#6	.146 3.7		.327 8.3							500
	RVBS5-4	RVS5-4 *	#8	.169 4.3		.240 6.1							500
	RVBL5-4	RVL5-4 *	#8	.169 4.3	.374 9.5	.240 6.1	.894 22.7						500
	RVB5-5	RV5-5 *	#10	.209 5.3	.488 12.4	.496 12.6	1.252 31.8						500
	RVBL5-5	RVL5-5	#10	.209 5.3	.488 12.4	.496 12.6	1.252 31.8						500
	RVB5-6	RV5-6 *	1/4	.252 6.4	.413 10.5	1.161 29.5	500						
	RVBM5-6	RVM5-6	1/4	.252 6.4	.472 12.0	.512 13.0	1.260 32.0						500
	RVB5-7	RV5-7	1/4	.291 7.4	.413 10.5	1.154 29.3	500						
4-6 mm <sup>2</sup>	RVBS5-8	RVS5-8	5/16	.331 8.4	.591 15.0	.441 11.2	1.248 31.7	500					
	RVB5-8	RV5-8 *	5/16	.331 8.4	.591 15.0	.524 13.3	1.339 34.0	500					
	RVBS5-10	RVS5-10	3/8	.413 10.5				500					
	RVB5-10	RV5-10 *	3/8	.413 10.5	.756 19.2	.630 16.0	1.520 38.6	500					
	RVB5-11	RV5-11	7/16	.453 11.5				500					
	RVB5-12	RV5-12	1/2	.512 13.0				500					
	RVB5-13	RV5-13	1/2	.551 14.0				500					
	RVB5-14	RV5-14	9/16	.591 15.0	1.260 32.0	.992 25.2	2.134 54.2	500					
	RVB5-16	RV5-16	5/8	.669 17.0				500					
	RVB5-18	RV5-18	11/16	.748 19.0				500					
RVB5-20	RV5-20	3/4	.827 21.0	500									

ALL LISTED  
 \* : ADDITIONAL CERTIFIED  
 ■ : 90D available

Products can be bend to 90-degrees angle.

**VINYL-INSULATED RING TERMINALS**



**MAXIMUM ELECTRIC CURRENT:**

A.W.G.	8
AMP.	70

**MAXIMUM ELECTRICAL RATING: 105° C 600 VOLTS MAX.**

**INSULATION MATERIAL: VINYL**

**INSULATION COLOR:**

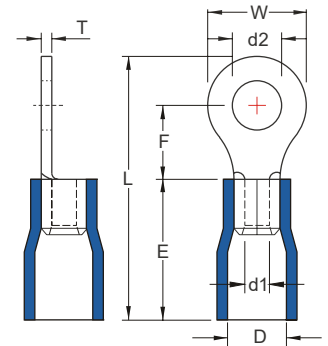
8 A.W.G.: RED

**TERMINAL MATERIAL: COPPER**

WIRE RANGE A.W.G. mm <sup>2</sup>	ITEM NO.		STUD SIZE		DIMENSION <small>inch mm</small>						CRIMPING TOOL	TY BOX						
	BRAZED SEAM	BUTTED SEAM	d2		W	F	L	E	D	d1			T					
8 A.W.G.	RVB8-3.7		#6	.146 3.7	.315 8.0		1.181 30.0						K.S. MODEL KST-HDC38A WITH DIE INDEX :INS(mm)8	500				
	RVBS8-4		#8	.169 4.3										.366 9.3	500			
	RVBL8-4		#8	.169 4.3	.472 12.0	1.260 32.0	500											
	RVBS8-5		#10	.209 5.3	.346 8.8	.429 10.5	1.244 31.6							500				
	RVBM8-5		#10	.209 5.3	.472 12.0	.366 9.3	1.260 32.0							500				
	RVBL8-5		#10	.209 5.3	.591 15.0	.543 13.8	1.496 38.0							500				
	RVBS8-6		1/4	.252 6.4	.472 12.0	.366 9.3	1.240 31.5							500				
	RVBL8-6		1/4	.252 6.4										500				
	RVB8-8		5/16	.331 8.4	.591 15.0	.535 13.6	1.496 38.0							.657 16.7	.335 8.5	.177 4.5	.047 1.2	500
	RVB8-10		3/8	.413 10.5														500
8 mm <sup>2</sup>	RVB8-11 <sup>⊙</sup>		7/16	.453 11.5	.787 20.0	.591 15.0	1.642 41.7					500						
	RVB8-12		1/2	.512 13.0				500										
	RVB8-14		9/16	.591 15.0							500							
	RVB8-16		5/8	.669 17.0							500							
	RVB8-18		11/16	.748 19.0	1.244 31.6	1.008 25.6	2.272 57.7				500							
	RVB8-20		3/4	.827 21.0							500							
RVB8-22 <sup>⊙</sup>		7/8	.906 23.0							500								

UL cUL ALL LISTED  
⊙: NOT UL AND C-UL LISTED

# VINYL-INSULATED RING TERMINALS



**MAXIMUM ELECTRIC CURRENT:**

A.W.G.	6
AMP.	95

**MAXIMUM ELECTRICAL RATING: 105 °C 600 VOLTS MAX.**

**INSULATION MATERIAL: VINYL**

**INSULATION COLOR:**

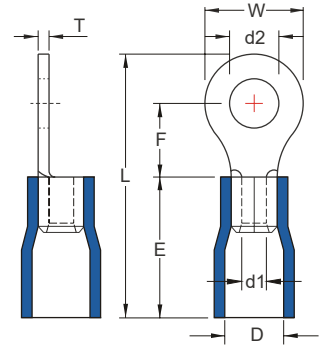
16-14 A.W.G.: BLUE ■

**TERMINAL MATERIAL: COPPER**

WIRE RANGE A.W.G. mm <sup>2</sup>	ITEM NO.		STUD SIZE		DIMENSION <small>inch mm</small>						CRIMPING TOOL	Q'TY BOX		
	BRAZED SEAM	BUTTED SEAM	d2		W	F	L	E	D	d1			T	
6 A.W.G.	RVB14-4	⊙	#8	.169 4.3	.472 12.0		1.622 41.2					K.S. MODEL KST-HDC38A WITH DIE INDEX :INS(mm)14	500	
	RVBS14-5	⊙	#10	.209 5.3	.374 9.5		1.583 40.2						500	
	RVB14-5	⊙	#10	.209 5.3	.472 12.0	.524 13.3	1.622 41.2						500	
	RVBSS14-6	⊙	1/4	.252 6.4	.374 9.5		1.583 40.2						500	
	RVBS14-6	⊙	1/4	.252 6.4	.472 12.0		1.622 41.2						500	
	RVBL14-6	⊙	1/4	.252 6.4									500	
	RVB14-8	⊙	5/16	.331 8.4	.630 16.0	.559 14.2	1.752 44.5	.886 22.5	.413 10.5	.228 5.8	.059 1.5		500	
	RVB14-10		3/8	.413 10.5									500	
	14 mm <sup>2</sup>	RVB14-11		7/16	.453 11.5									250
		RVB14-12		1/2	.512 13.0									250
RVB14-14			9/16	.591 15.0								250		
RVB14-16			5/8	.669 17.0	1.244 31.6	.966 25.3	2.480 63.0					250		
RVB14-18			11/16	.748 19.0								250		
	RVB14-20		3/4	.827 21.0								250		

Ⓛ ALL LISTED  
⊙ : NOT UL LISTED

**VINYL-INSULATED RING TERMINALS**



**MAXIMUM ELECTRIC CURRENT:**

A.W.G.	4
AMP.	22

**MAXIMUM ELECTRICAL RATING: 105°C 600 VOLTS MAX.**

**INSULATION MATERIAL: VINYL**

**INSULATION COLOR:**

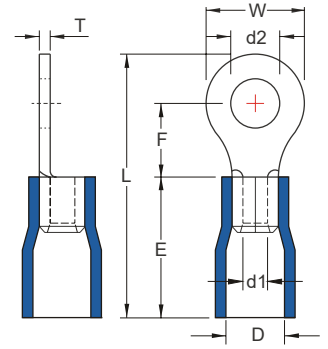
4 A.W.G.: YELLOW

**TERMINAL MATERIAL: COPPER**

WIRE RANGE A.W.G. mm <sup>2</sup>	ITEM NO.		STUD SIZE		DIMENSION <small>inch mm</small>							CRIMPING TOOL	Q'TY BOX	
	BRAZED SEAM	BUTTED SEAM	d2		W	F	L	E	D	d1	T			
4 A.W.G.	RVB22-4		#8	.169 4.3			1.780 45.2						K.S. MODEL KST-HDC38A WITH DIE INDEX :INS(mm)22	200
	RVBS22-4 <sup>⊙</sup>		#8	.169 4.3	.480 12.2	.594 15.1	1.787 45.4					200		
	RVBS22-5		#10	.209 5.3			1.780 45.2					200		
	RVBL22-5		#10	.209 5.3	.650 16.5	.531 13.5	1.791 45.5					200		
	RVBS22-6		1/4	.252 6.4	.480 12.2	.594 15.1	1.772 45.0					200		
	RVBL22-6		1/4	.252 6.4	.650 16.5	.531 13.5	1.791 45.5					200		
	RVB22-8		5/16	.331 8.4										200
	RVBS22-8 <sup>⊙</sup>		5/16	.331 8.4	.480 12.2	.594 15.1	1.787 45.4							200
	RVB22-10		3/8	.413 10.5	.650 16.5	.531 13.5	1.799 45.7	.945 24.0	.512 13.0	.303 7.7	.067 1.7			200
	RVBL22-10		3/8	.413 10.5	.689 17.5	.630 16.0	1.917 48.7							200
22 mm <sup>2</sup>	RVB22-11		7/16	.453 11.5	.866 22.0	.776 19.7	2.146 54.5						200	
	RVB22-12		1/2	.512 13.0									200	
	RVB22-14		9/16	.591 15.0									200	
	RVB22-16		5/8	.669 17.0									200	
	RVB22-18		11/16	.748 19.0	1.181 30.0	.953 24.2	2.480 63.0						200	
	RVB22-20		3/4	.827 21.0									200	
	RVB22-22 <sup>⊙</sup>		7/8	.906 23.0									200	

<sup>c</sup>UL ALL LISTED  
⊙: NOT CUL LISTED

# VINYL-INSULATED RING TERMINALS



**MAXIMUM ELECTRIC CURRENT:**

A.W.G.	2
AMP.	170

**MAXIMUM ELECTRICAL RATING: 105 °C 600 VOLTS MAX.**

**INSULATION MATERIAL: VINYL**

**INSULATION COLOR:**

2 A.W.G.: RED ■

**TERMINAL MATERIAL: COPPER**

WIRE RANGE A.W.G. mm <sup>2</sup>	ITEM NO.		STUD SIZE		DIMENSION <small>inch mm</small>							CRIMPING TOOL	Q'TY BOX
	BRAZED SEAM	BUTTED SEAM	d2		W	F	L	E	D	d1	T		
2 A.W.G.	RVB38-5		#10	.209 5.3	.602 15.3	.685 17.4	2.047 52.0					K.S. MODEL KST-HDC38A WITH DIE INDEX :INS(mm)38	100
	RVBS38-6		1/4	.252 6.4									100
	RVBL38-6		1/4	.252 6.4	.866 22.0	.697 17.7	2.193 55.7						100
	RVBS38-8		5/16	.331 8.4	.602 15.3	.685 17.4	2.047 52.0						100
	RVBL38-8		5/16	.331 8.4	.866 22.0	.697 17.7	2.193 55.7						100
	RVBS38-10		3/8	.413 10.5	.602 15.3	.685 17.4	2.047 52.0						100
	RVBL38-10		3/8	.413 10.5									100
	RVB38-11		7/16	.453 11.5	.866 22.0	.697 17.7	2.193 55.7	1.063 27.0	.571 14.5	.370 9.4	.071 1.8		100
	RVB38-12		1/2	.512 13.0									100
	RVB38-13		9/16	.551 14.0									100
38 mm <sup>2</sup>	RVB38-14		9/16	.591 15.0								100	
	RVB38-16		5/8	.669 17.0								100	
	RVB38-18		11/16	.748 19.0	1.181 30.0	.917 23.3	2.559 65.0					100	
	RVB38-20		3/4	.827 21.0								100	
	RVB38-22		7/8	.906 23.0								100	
	RVB38-24		15/16	.984 25.0								100	

ALL LISTED