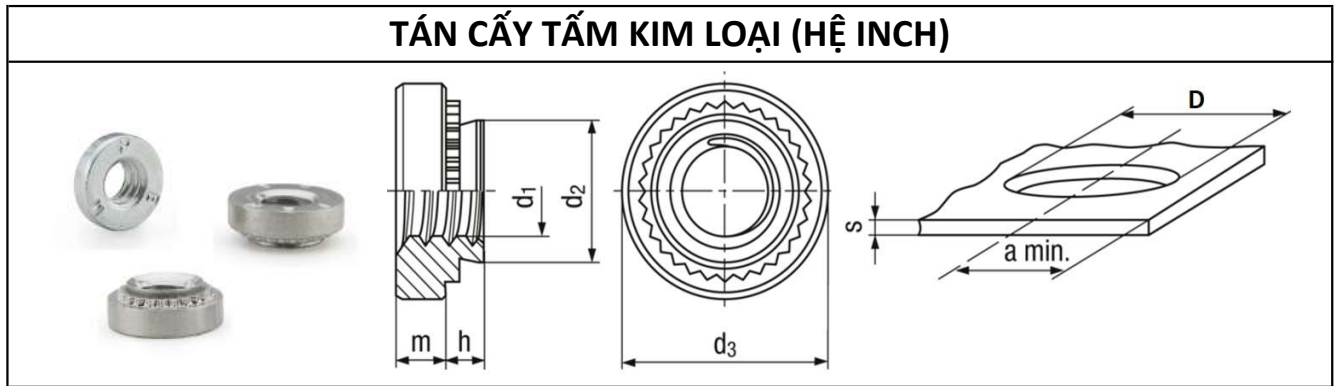
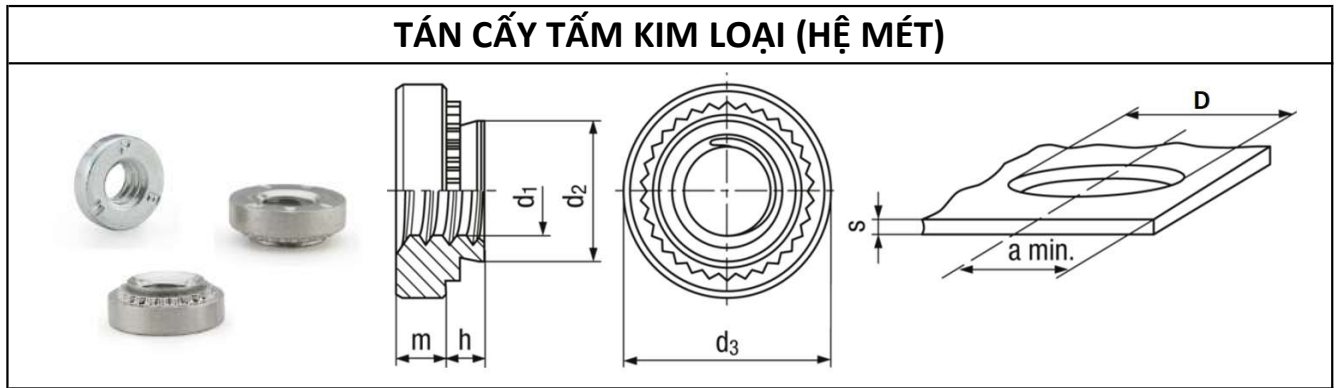


TÁN CỠ TẮM KIM LOẠI (HỆ INCH)



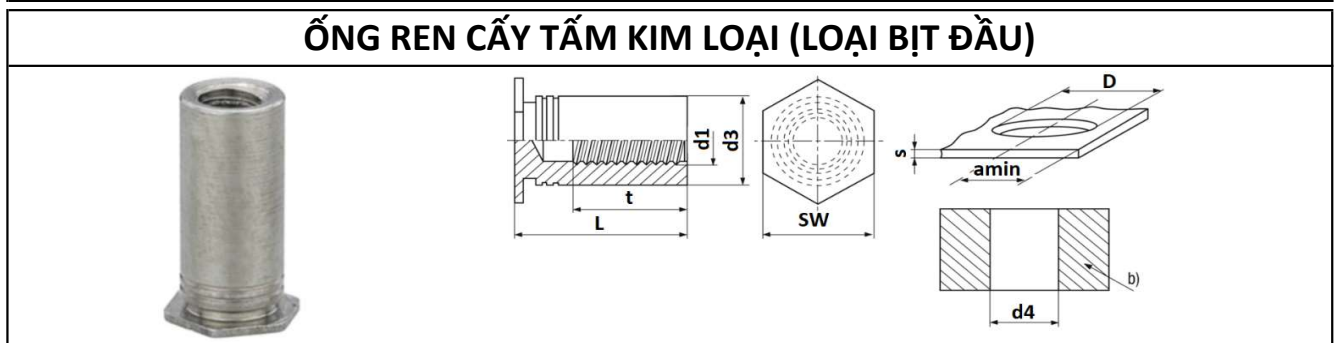
Mã hàng			Size ren	s	h	D	d2	d3	m	a
Thép carbon	Hardened inox	SUS300	(d1)	Min	Max	+0.08	Max	±0.25	±0.25	Min
SM21M440-1D2	-	SM21M440-1H0	#4-40	0.04	0.038	0.166	0.165	0.25	0.07	0.19
SM21M440-2D2	-	-		0.06	0.054					
SM21M632-0D2	-	SM21M632-0H0	#6-32	0.03	0.03	0.188	0.187	0.28	0.07	0.22
SM21M632-1D2	-	SM21M632-1H0		0.04	0.038					
SM21M632-2D2	-	SM21M632-2H0		0.06	0.054					
SM21M832-0D2	-	SM21M832-0H0	#8-32	0.03	0.03	0.213	0.212	0.31	0.09	0.27
SM21M832-1D2	-	SM21M832-1H0		0.04	0.038					
SM21M832-2D2	-	SM21M832-2H0		0.056	0.054					
SM21M032-0D2	-	SM21M032-0H0	#10-32	0.03	0.03	0.25	0.249	0.34	0.09	0.28
SM21M032-1D2	-	SM21M032-1H0		0.04	0.038					
SM21M032-2D2	-	SM21M032-2H0		0.06	0.054					
SM21M032-3D2	-	SM21M032-3H0		0.09	0.087					
-	-	-	1/4-20	0.047	0.045	0.344	0.343	0.44	0.17	0.34
SM21M0420-1D2	-	SM21M0420-1H0		0.056	0.054					
SM21M0420-2D2	-	SM21M0420-2H0		0.09	0.087					
SM21M0518-1D2	-	-	5/16-18	0.056	0.054	0.413	0.412	0.5	0.23	0.38
SM21M0518-2D2	-	-		0.09	0.087					

TÁN CẤY TẮM KIM LOẠI (HỆ MÉT)



Mã hàng			Size ren	s	h	D	d2	d3	m	a
Thép mạ kẽm	Hardened inox	SUS300	(d1)	Min	Max	+0.08	Max	±0.25	±0.25	Min
SM21M025-1D2	-	-	M2.5	1.00	0.97	4.22	4.2	6.35	1.5	4.8
SM21M030-0D2	SM21M030-0F2	SM21M030-0H0	M3	0.80	0.77	4.22	4.2	6.35	1.5	4.8
SM21M030-1D2	SM21M030-1F2	SM21M030-1H0		1.00	0.97					
SM21M030-2D2	SM21M030-2F2	SM21M030-2H0		1.40	1.38					
SM21M040-0D2	SM21M040-0F2	SM21M040-0H0	M4	0.80	0.77	5.41	5.38	7.87	2	6.9
SM21M040-1D2	SM21M040-1F2	SM21M040-1H0		1.00	0.97					
SM21M040-2D2	SM21M040-2F2	SM21M040-2H0		1.40	1.38					
SM21M050-0D2	SM21M050-0F2	SM21M050-0H0	M5	0.80	0.77	6.35	6.33	8.64	2	7.1
SM21M050-1D2	SM21M050-1F2	SM21M050-1H0		1.00	0.97					
SM21M050-2D2	SM21M050-2F2	SM21M050-2H0		1.40	1.38					
SM21M060-0D2	SM21M060-0F2	SM21M060-0H0	M6	1.20	1.15	8.74	8.73	11.18	4.08	8.6
SM21M060-1D2	SM21M060-1F2	SM21M060-1H0		1.40	1.38					
SM21M060-2D2	SM21M060-2F2	SM21M060-2H0		2.29	2.21					
SM21M080-1D2	SM21M080-1F2	SM21M080-1H0		1.40	1.38	10.05	10.47	12.7	5.47	9.7
SM21M080-2D2	SM21M080-2F2	SM21M080-2H0		2.29	2.21					
SM21M100-1D2	SM21M100-1F2	SM21M100-1H0	M10	2.29	2.21	14	13.97	17.35	7.48	13.5
SM21M100-2D2	SM21M100-2F2	SM21M100-2H0		3.18	3.05					
SM21M120-1D2	-	-	M12	3.18	3.05	17	16.95	20.57	8.5	16

ỐNG REN CẤY TẮM KIM LOẠI (LOẠI BỊT ĐẦU)



Mã hàng		Size ren	L	d3	sw	s min	D	a min	d4
Thép mạ kẽm	SUS300	(d1)	Bước nhảy 1mm						
SM19M3-(L)D2	SM19M3-(L)H0	M3	4-25	4.2	4.8	1	4.2	6	4.4
SM19M4-(L)D2	SM19M4-(L)H0	M4	5-26	7.12	7.9	1.3	7.2	8	7.3
SM19M5-(L)D2	SM19M5-(L)H0	M5							

BẢNG TRA ĐỘ DÀI REN t

L	4-5	6-10	10-12	14-16	17-25
t (min)	4	4	5	6.5	9.5