

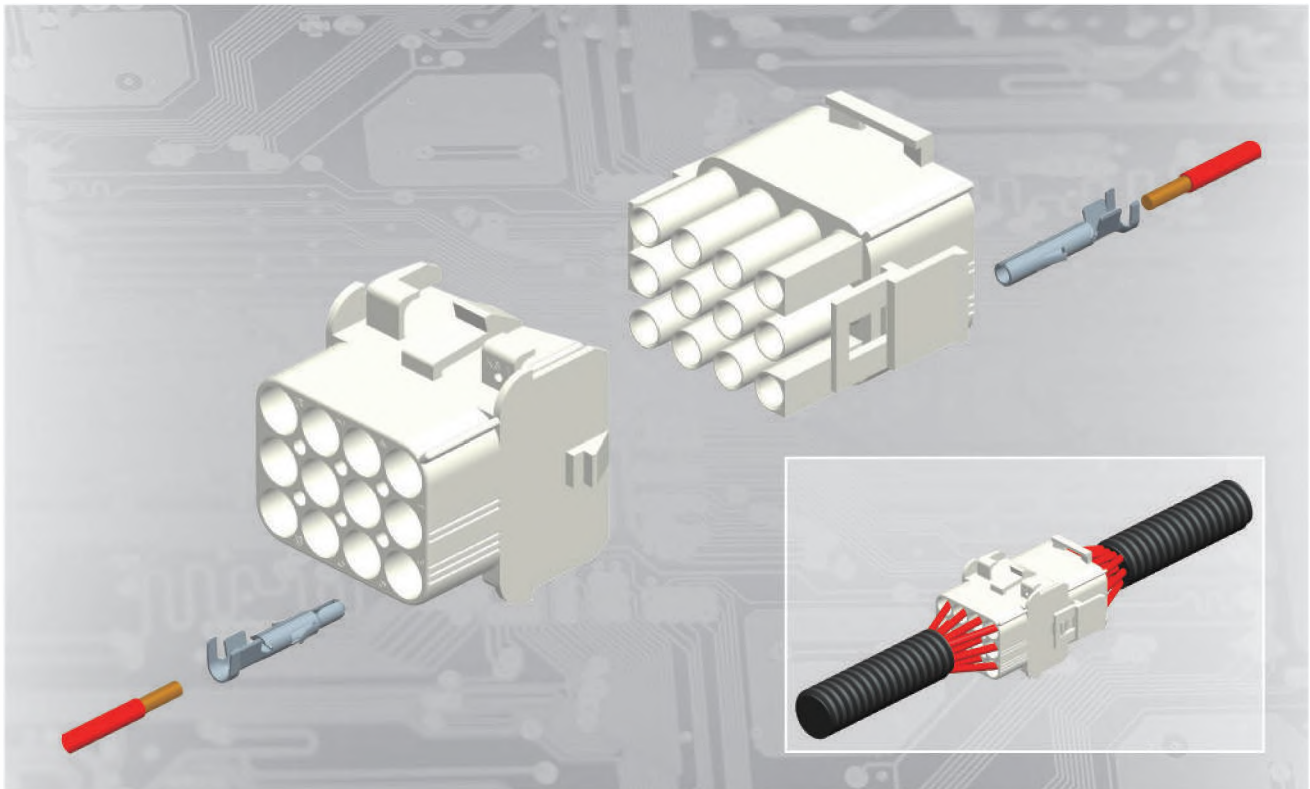
# 084(2.13) MLX Pin and Socket Series

## UNSEALED

084(2.13) MLX Pin and Socket Series is a wire-to-wire, wire-to-board, unsealed connector for medium power applications.

Mechanical lock system designed to endure extreme vibration and extended life requirements.  
Mechanical lock system provides an audible click when housings are mated.  
Low insertion force, high contact reliability.

### ■ CONSTRUCTION



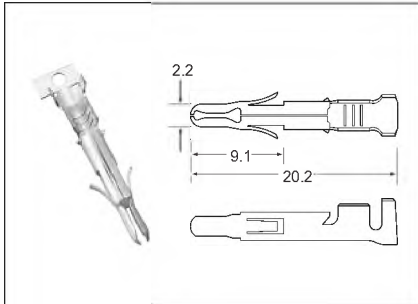
### ■ SPECIFICATIONS

|                             |  |       |
|-----------------------------|--|-------|
| Material                    | Connector  | NY66  |
|                             | Male Terminal  | BRASS |
|                             | Female Terminal  | BRASS |
| Operating Temperature Range | -55°C~105°C  |       |
| Voltage Drop                | 3mV/A  |       |
| Isolation Resistance        | 100MΩ  |       |
| Dielectric Resistance       | 2200V  |       |
| Applicable Wire Size        | 20 AWG~14 AWG(0.5mm <sup>2</sup> ~2.0mm <sup>2</sup> ) |       |
| Maximum Electric Current    | 12A  |       |

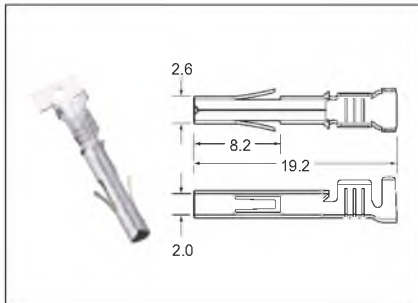
# 084(2.13) MLX Pin and Socket Series

## UNSEALED

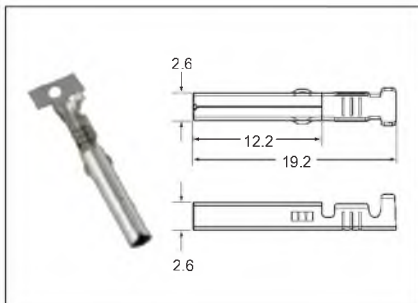
### TERMINAL



| ITEM NO.  | WIRE RANGE |                 | MATERIAL | PLATINGS | Q'TY REEL | APPLICATOR  | DIES        |
|-----------|------------|-----------------|----------|----------|-----------|-------------|-------------|
|           | A.W.G.     | mm <sup>2</sup> |          |          |           |             |             |
| 1101Z0042 | 20-14      | 0.5-2.0         | Brass    | Pre-Tin  | 4000      | CDM-94113-M | CDT-94113-M |



| ITEM NO.  | WIRE RANGE |                 | MATERIAL | PLATINGS | Q'TY REEL | APPLICATOR  | DIES        |
|-----------|------------|-----------------|----------|----------|-----------|-------------|-------------|
|           | A.W.G.     | mm <sup>2</sup> |          |          |           |             |             |
| 1201Z0042 | 20-14      | 0.5-2.0         | Brass    | Pre-Tin  | 4000      | CDM-94113-M | CDT-94113-M |


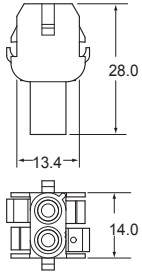

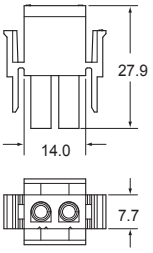

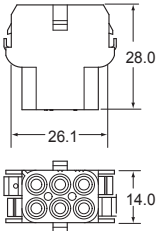

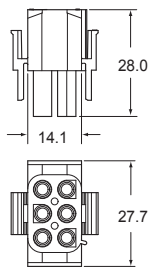

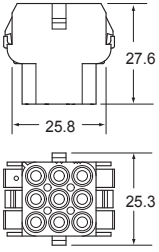

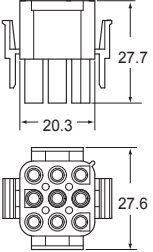

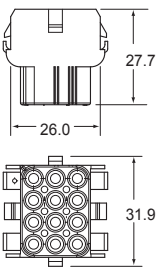

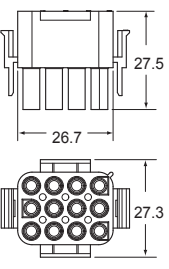


| ITEM NO.  | WIRE RANGE |                 | MATERIAL | PLATINGS | Q'TY REEL | APPLICATOR  | DIES        |
|-----------|------------|-----------------|----------|----------|-----------|-------------|-------------|
|           | A.W.G.     | mm <sup>2</sup> |          |          |           |             |             |
| 1201Z0046 | 20-14      | 0.5-2.0         | Brass    | Pre-Tin  | 4000      | CDM-98048-M | CDT-98048-M |

# 084(2.13) MLX Pin and Socket Series

## UNSEALED

### HOUSING

| POLE | MALE  | FEMALE   |
|------|---|--|
| 2    | <p><b>3102Z0041</b> ☉<br/><b>3102Z0061</b> ☉</p>   <p>100 PCS</p> | <p><b>3202Z0041</b> ☉<br/><b>3202Z0061</b> ☉</p>   <p>100 PCS</p> |
| 6    | <p><b>3106Z0041</b><br/><b>3106Z0061</b></p>   <p>100 PCS</p>  | <p><b>3206Z0041</b><br/><b>3206Z0061</b></p>   <p>100 PCS</p>  |
| 9    | <p><b>3109Z0041</b><br/><b>3109Z0061</b></p>   <p>50 PCS</p>  | <p><b>3209Z0041</b><br/><b>3209Z0061</b></p>   <p>50 PCS</p>  |
| 12   | <p><b>3112Z0041</b><br/><b>3112Z0061</b></p>   <p>50 PCS</p>  | <p><b>3212Z0041</b><br/><b>3212Z0061</b></p>   <p>50 PCS</p>  |

• HOUSING (UNIT: mm)

MATERIAL: NY66

COLOR: NATURAL



ALL LISTED

☐: NOT RU AND C-RU LISTED