

NYLON-INSULATED BLADE TERMINALS

MAXIMUM ELECTRIC CURRENT:

A.W.G.	12	10
AMP.	35	50

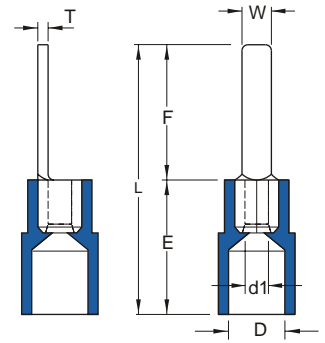
MAXIMUM ELECTRICAL RATING: 105°C 600 VOLTS MAX.

INSULATION MATERIAL: NYLON

INSULATION COLOR:

12-10 A.W.G.: YELLOW

TERMINAL MATERIAL: COPPER



WIRE RANGE A.W.G. mm ²	ITEM NO.		DIMENSION ^{inch} / _{mm}							CRIMPING TOOL	Q'TY BOX
	BRAZED SEAM	BUTTED SEAM	W	F	L	E	D	d1	T		
12-10 A.W.G. 4-6 mm ²	DBNYB5-10	DBNY5-10	.110 2.8	.394 10.0	.906 23.0	.512 13.0	.252 6.4	.134 3.4	.039 1.0	IZUMI MODEL 5 WITH DIE INDEX COLOR:YELLOW OR K.S. MODEL KST2000A HRI-126J WITH DIE INDEX COLOR:YELLOW	500
	DBNYB5-13	DBNY5-13	.177 4.5	.512 13.0	1.024 26.0						500
	DBNYBS5-14	DBNYS5-14	.157 4.0	.551 14.0	1.063 27.0						500
	DBNYB5-14	DBNY5-14	.177 4.5								500
	DBNYBS5-18	DBNYS5-18	.079 2.0	.709 18.0	1.220 31.0						500
	DBNYB5-18	DBNY5-18	.177 4.5								500

UL cUL ALL LISTED
© : NOT UL AND C-UL LISTED

