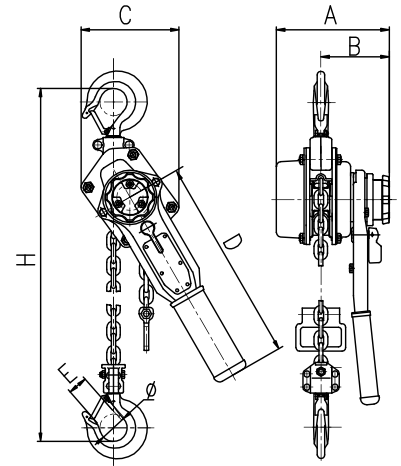


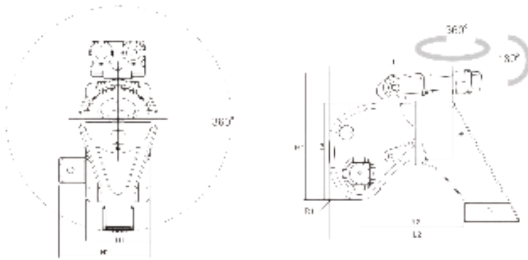
Lever Block Chain Hoist



- High strength soft hook with safety clamp is adopted to effectively prevent breakage and decoupling
- Aluminum alloy handwheel with comfortable handle and light weight
- The design of the wrench reinforces the ribs and has a strong ability to resist falling
- The integral bearing is used in the interior, which is convenient for disassembly, assembly and maintenance
- Implement standard JB/T 7335-2016

No.	Lifting Weight (metric ton)	Lifting Height (m)	Lifting Chain Spec. (mm)	Handle Length (mm)	Pull Force (N)	Main Dimensions(mm)						Unit Weight(kg)	📦	📦	📏
						A	B	C	∅	E	H min.				
97871	0.75	1.5	6×18	250	200	162	96	140	37	24	350	6.7	1	1	7.2
97872	0.75	3	6×18	250	200	162	96	140	37	24	350	8.0	1	1	8.5
97873	1.5	1.5	7×21	340	280	181	99	145	42.5	29	400	10.0	1	1	10.8
97874	1.5	3	7×21	340	280	181	99	145	42.5	29	400	11.7	1	1	12.5
97875	3	1.5	10×30	280	350	206	112	199	55	40	500	19.3	1	1	20.3
97876	3	3	10×30	280	350	206	112	199	55	40	500	22.6	1	1	23.6

Dr. Hydraulic Wrench



- It is made of new Al-Ti alloy of high hardness and high strength alloy steel
- The reaction arm allows 360° rotation to adjust and the tenon-type connection design facilitates the position adjustment according to different working conditions
- 360°/180° oil inlet can be adjusted by universal rotation
- Unique chrome plating process makes the surface capable of rust proof; the reliable and endurable double anti-reversing claw is provided with a ntilocking function, effectively improving the work efficiency
- Output accuracy: +/-3%, Repeat accuracy: +/-1%

No.	Driving Head Size	L1(mm)	L2(mm)	H1(mm)	H2(mm)	H3(mm)	H4(mm)	R1(mm)	R2(mm)	Min. Torque		Max. Torque		Bolt Range(mm)	Weight		📦	📦	📏
										(LBF.FT)	(N.m)	(LBF.FT)	(N.m)		(LB)	(KG)			
99050	3/4"	126	193	51	72	92	132	26	115	203	270	1366	1950	16-36	5.29	2.4	-	1	4
99051	1"	162	244	68	95	125	167	34	135	446	650	3031	4650	22-48	11.34	5.15	-	1	7
99052	1-1/2"	210	271	81	123	150	195	40	140	811	1150	5663	7650	27-56	19.5	8.86	-	1	10.5
99053	1-1/2"	223	295	91	131	168	220	48	154	841	1200	6890	9400	30-64	28.2	12.8	-	1	15.5
99054	1-1/2"	244	370	101	145	188	232	51	262	1538	2100	10910	14800	36-72	35.9	16.3	-	1	20
99055	2-1/2"	311	388	121	184	221	273	60	187	2960	4050	20115	27200	42-90	66.98	30.41	-	1	38
99056	2-1/2"	331	409	138	200	248	230	67	199	3817	5150	25697	34750	48-100	85.9	39	-	1	48
99057	2-1/2"	354	540	149	220	278	315	77	323	5235	7150	37756	51000	64-120	95.15	43.2	-	1	53