


**NTN BEARING CORPORATION OF AMERICA**

Head Office

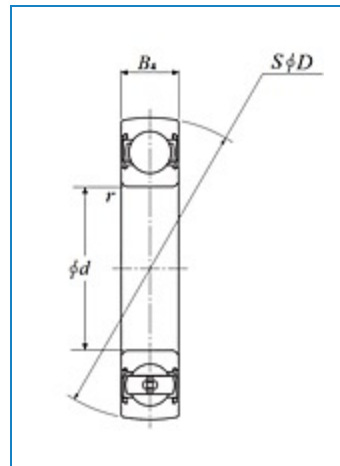
1600 E. Bishop Court, P.O. Box 7604

Mount Prospect, IL 60056-7604, U.S.A.

**Phone:** 847-298-7500

**Fax:** 847-699-9744

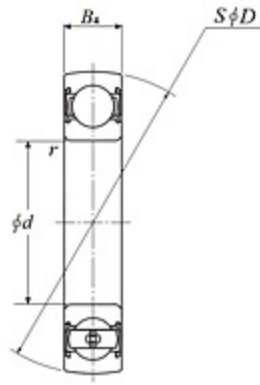
**Toll Free:** 800-323-2358

**Email:** [mkt@ntnamerica.com](mailto:mkt@ntnamerica.com)
**Website:** [www.ntnamericas.com](http://www.ntnamericas.com)
**Item # CS203LLU, Tight Fit Type Ball Bearings**

[Order Now](#) | [Technical Specifications](#) | [Dimensional Specifications](#) | [Specifications](#)
**Order Now**
**Ordering Options**
**FIND A DISTRIBUTOR**
**CONTACT NTN CUSTOMER SUPPORT SPECIALIST**
**ORDER THROUGH NTN DOL (AUTHORIZED DISTRIBUTORS ONLY)**
**Technical Specifications**
**Type**

Deep Groove Ball Bearing

<b>Bore Type</b>	Round
<b>Material</b>	Through Hardened Steel
<b>Cage Type</b>	Pressed
<b>Cage Material</b>	Steel
<b>Seal Type</b>	Contact
<b>Seal Material</b>	Nitrile Rubber
<b>Outside Ring Type</b>	Spherical
<b>Ball Material</b>	Steel
<b>Precision</b>	Not Available
<b>Configuration</b>	One
<b>Radial Internal Clearance</b>	CN
<b>Static Load Rating</b>	1034 lbf 4600 N 4.60 kN
<b>Dynamic Load Rating</b>	1664 lbf 7400 N 7.40 kN
<b>Enclosure</b>	Double Sealed
<b>Weight</b>	0.132 lb 0.290 kg
<b>Operating Temperature Range</b>	-40 to 250 °F -40 to 120 °C

## Dimensional Specifications



Tight Fit Type Ball Bearings - Dimensions

<b>d</b>	0.6690 in 17.000 mm
<b>D</b>	1.5750 in 40.000 mm
<b>r</b>	0.0236 in 0.600 mm

## Specifications

<b>Radial Dynamic Load Rating</b>	1664 lbf 7400 N
<b>Radial Static Load Rating</b>	1034 lbf 4600 N