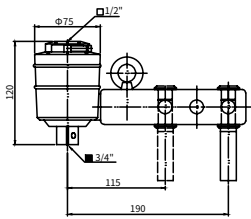


Super Lightweight Torque Multiplier

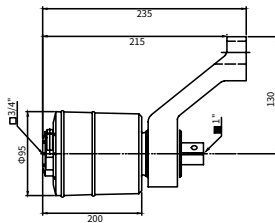


Note: the conversion ratio in the table is for selection reference only. The actual ratio is subject to the certificate attached to each product

No.	Maximum Input Torque (N.m)	Maximum Output Torque (N.m)	Gear Ratio	Input Terminal Square Drive Size	Output Terminal Square Drive Size	Diameter (mm)	H (mm)	Weight (kg)			
96496	80	1000	1:12.5	1/2"	3/4"	75	120	3.2	-	1	5.5
96497	182	2000	1:12.5	1/2"	1"	75	124	3.4	-	1	5.5

▲ Excluded from lifetime warranty terms.

Portable Lightweight Torque Multiplier

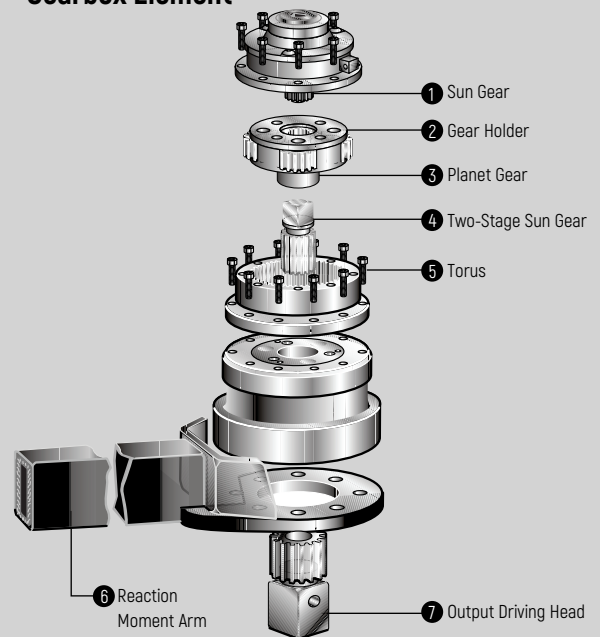


Note: the conversion ratio in the table is for selection reference only. The actual ratio is subject to the certificate attached to each product

No.	Maximum Input Torque (N.m)	Maximum Output Torque (N.m)	Gear Ratio	Input Terminal Square Drive Size	Output Terminal Square Drive Size	Diameter (mm)	H (mm)	Weight (kg)			
96498	215	2800	1:13	1/2"	1"	95	200	5.2	-	1	10.7
96499	292	3800	1:13	3/4"	1"	95	200	5.2	-	1	4

▲ Excluded from lifetime warranty terms.

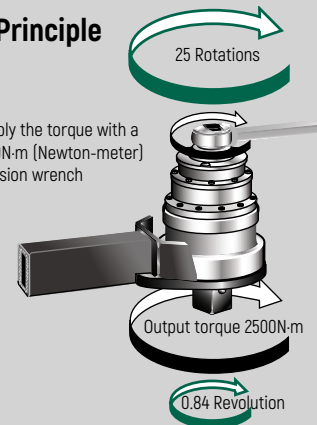
Gearbox Element



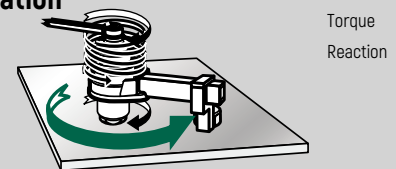
Operating Principle

Torque Rate

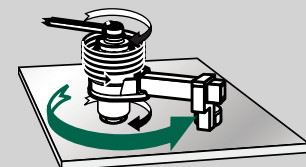
Apply the torque with a 100N-m (Newton-meter) torsion wrench



Safe operation



Gearbox and torque increase force, with the same principle as a spring!



The multiplier produces maximum torque only when the spring is at its tightest.