


NTN BEARING CORPORATION OF AMERICA

Head Office

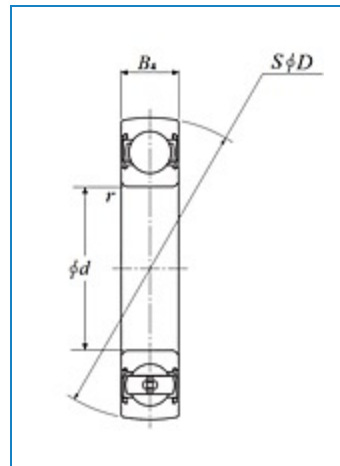
1600 E. Bishop Court, P.O. Box 7604

Mount Prospect, IL 60056-7604, U.S.A.

Phone: 847-298-7500

Fax: 847-699-9744

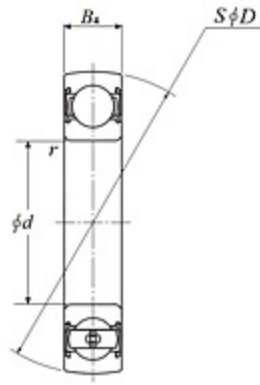
Toll Free: 800-323-2358

Email: mkt@ntnamerica.com
Website: www.ntnamericas.com
Item # CS201LLU, Tight Fit Type Ball Bearings

[Order Now](#) | [Technical Specifications](#) | [Dimensional Specifications](#)
Order Now
Ordering Options
FIND A DISTRIBUTOR
CONTACT NTN CUSTOMER SUPPORT SPECIALIST
ORDER THROUGH NTN DOL (AUTHORIZED DISTRIBUTORS ONLY)
Technical Specifications
Type

Deep Groove Ball Bearing

Bore Type	Round
Material	Through Hardened Steel
Cage Type	Pressed
Cage Material	Steel
Seal Type	Contact
Seal Material	Nitrile Rubber
Outside Ring Type	Spherical
Ball Material	Steel
Precision	Class 0
Configuration	One
Radial Internal Clearance	CN
Static Load Rating	595 lbf 2640 N 2.64 kN
Dynamic Load Rating	1060 lbf 4700 N 4.70 kN
Enclosure	Double Sealed
Weight	0.088 lb 0.040 kg
Operating Temperature Range	-40 to 250 °F -40 to 120 °C

Dimensional Specifications



Tight Fit Type Ball Bearings - Dimensions

d	0.4724 in 12.000 mm
D	1.2598 in 32.000 mm
B4	0.3937 in 10.000 mm
r	0.0236 in 0.600 mm