

Valve

BVU5/32-5/32

RoHS2 Compliant



The image is BVU6-6. The actual color of release ring is natural color.

Ball Valve turns on and off air pressure to pneumatic devices.

Model type Mini (10) series, Union Straight

Weight 12.0g

Shipping unit 1pc.

Resin PBT

Metal Brass with electroless nickel plating

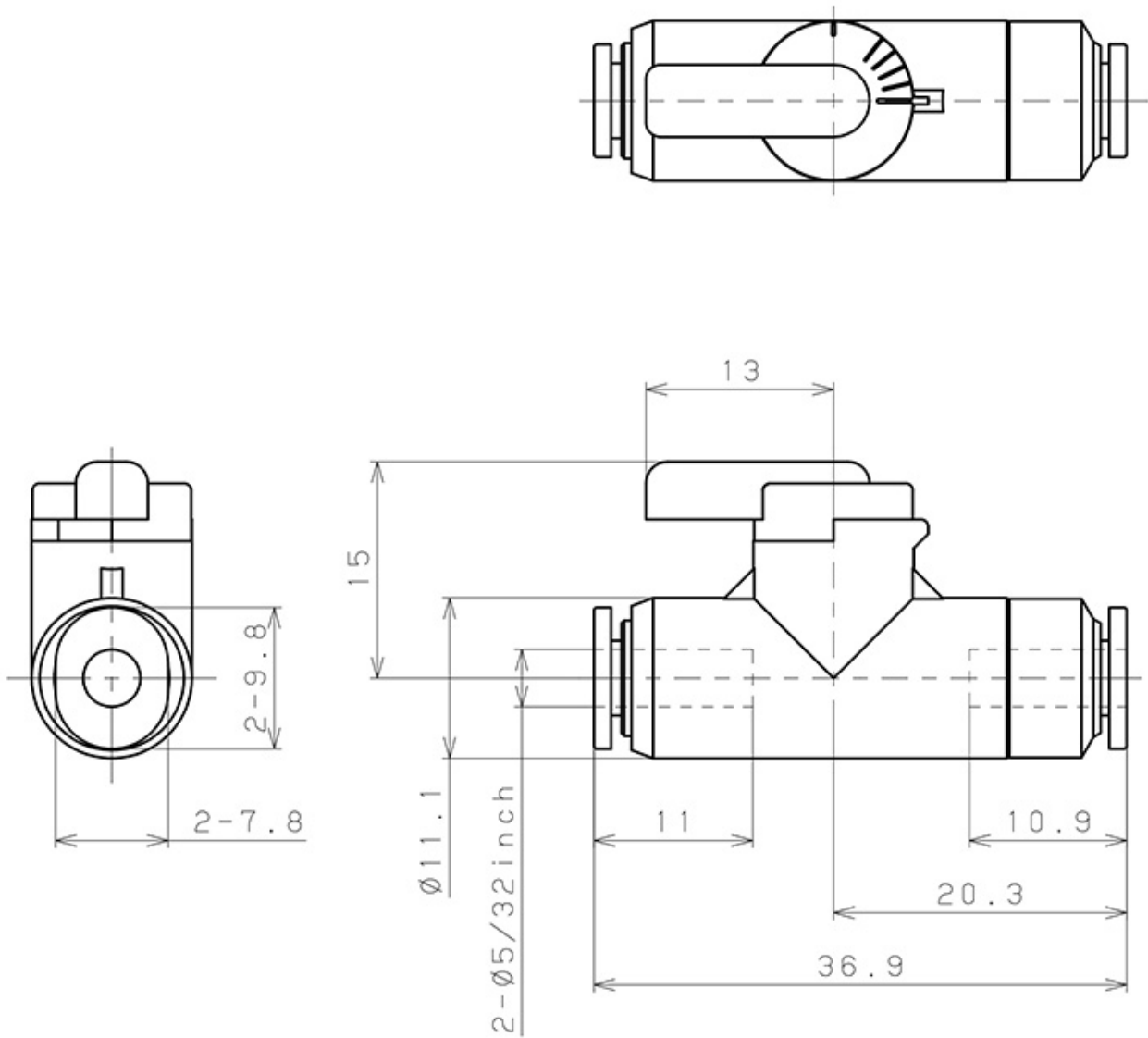
Seal rubber NBR

Port size

Tube dia.

$\phi 5/32''$

Outline Dimensional Drawing



Number of port

2

Detailed Safety Instructions

Caution

1. Do not use a lubricator on products.

2. When using under negative pressure, install a vacuum filter on the suction side. Dust sucked in may cause malfunctioning.

[Common Safety Instructions >](#)