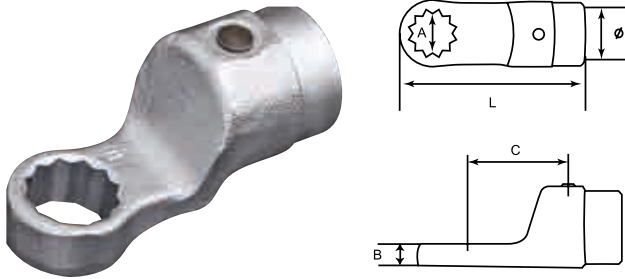


Torque Wrench Open End Fitting

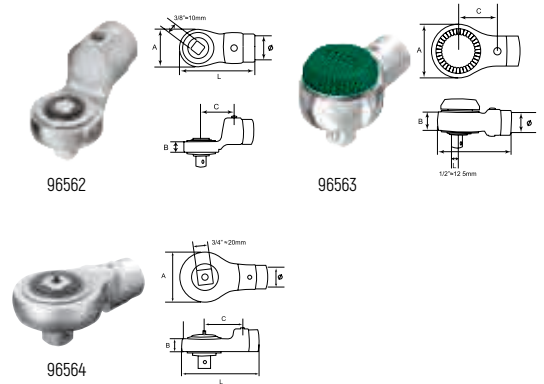


- Torque wrench head easy to change, suitable for narrow space with tight bolt connection
- Made of hot-forged Cr-V with chrome-plated surface
- Capable of bolt tripping

No.	Active Tip Width A(mm)	Active Tip Depth B(mm)	Depth C(mm)	Connector Φ(mm)	L (mm)	Weight (kg)			
96521M	7	8	32	16	58	0.09	1	-	-
96522M	8	8	32	16	58	0.09	1	-	-
96523M	9	8	32	16	58	0.09	1	-	-
96524M	10	10	32	16	58	0.1	1	-	-
96525M	11	10	32	16	60	0.1	1	-	-
96526M	12	10	32	16	60	0.1	1	-	-
96527M	13	12	32	16	62	0.14	1	-	-
96528M	14	12	32	16	62	0.14	1	-	-
96529M	15	12	32	16	62	0.14	1	-	-
96530M	16	13	32	16	65	0.18	1	-	-
96531M	17	13	32	16	65	0.18	1	-	-
96532M	18	13	32	16	65	0.18	1	-	-
96533M	19	14	32	16	65	0.21	1	-	-
96534M	20	14	32	16	65	0.21	1	-	-
96535M	21	14	32	16	66	0.21	1	-	-
96536M	22	15	32	16	66	0.26	1	-	-
96537M	24	15	32	16	70	0.26	1	-	-
96538M	27	16	32	16	70	0.3	1	-	-
96551M	22	15	56	22	70	0.35	1	-	-
96552M	24	15	56	22	93	0.33	1	-	-
96553M	27	17	56	22	93	0.37	1	-	-
96554M	30	17	56	22	101	0.35	1	-	-
96555M	32	20	56	22	101	0.42	1	-	-
96556M	34	20	56	22	105	0.42	1	-	-
96557M	36	20	56	22	105	0.39	1	-	-
96558M	41	22	56	22	112	0.56	1	-	-
96559M	46	22	56	22	112	0.52	1	-	-

▲ Excluded from lifetime warranty terms.

Torque Wrench Ratcheting Head

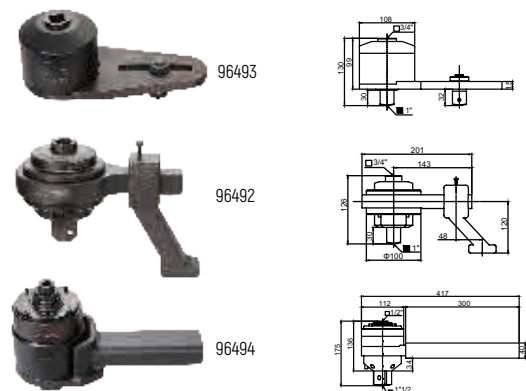


- Torque wrench head easy to change, suitable for narrow space with tight bolt connection
- Made of hot-forged Cr-V with chrome-plated surface
- Capable of bolt tripping

No.	Driving Head	Active Tip Width A(mm)	Active Tip Depth B(mm)	Depth C (mm)	Connector Φ(mm)	L (mm)	Weight (kg)			
96562	3/8"	35	15	32	16	70	0.17	1	-	-
96563	1/2"	44	35	32	16	70	0.27	1	-	-
96564	3/4"	69	30	56	22	70	0.95	1	-	-

▲ Excluded from lifetime warranty terms.

Torque Multiplier



Note: the conversion ratio in the table is for selection reference only. The actual ratio is subject to the certificate attached to each product.

No.	Maximum Input Torque (N.m)	Maximum Output Torque (N.m)	Gear Ratio	Input Terminal Square Drive Size	Output Terminal Square Drive Size	L (mm)	Diameter (mm)	H (mm)	Weight (kg)			
96491	280	1500	1:6	1/2"	3/4"	128	100	105	4.9	-	1	6.2
96492	500	2300	1:5.4	3/4"	1"	221	100	126	6.4	-	1	7.9
96493	777	3100	1:4.5	3/4"	1"	264	108	130	7.3	-	1	9.8
96494	225	4000	1:20	1/2"	1-1/2"	312	120	204	8.3	-	1	16.7
96495	230	5300	1:26	1/2"	1-1/2"	333	130	216	15.7	-	1	21.5

▲ Excluded from lifetime warranty terms.