

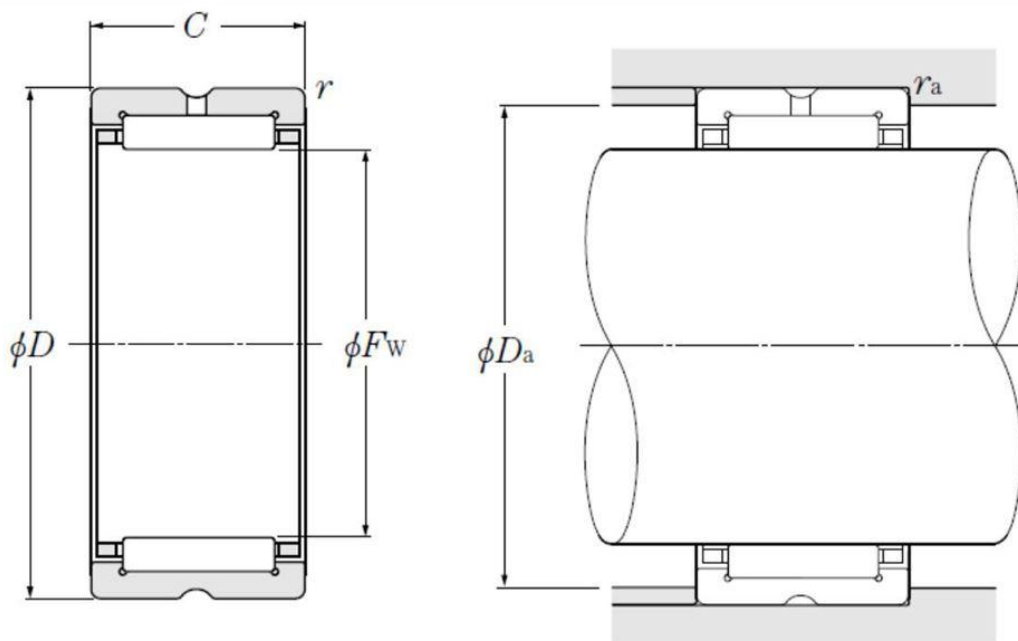
Technical data

NK14/20R

Needle roller bearing, machined-ring, without inner ring

Needle roller bearing, machined-ring, without inner ring, double-side ribs, lubrication hole

VISUAL (S)



PRODUCT DEFINITION

Brand	NTN
Fw - Under rollers diameter	14 mm
D - External diameter	22 mm
C - Width of bearing, drawn cup or outer ring	20 mm
rs - Min fillet radius	0,3 mm
Lubrication hole on outer ring	Oui/Yes
k - Hole diameter	2,5 mm
Radial clearance class	CN



NK14/20R

Needle roller bearing, machined-ring, without inner ring

PRODUCT DEFINITION

Precision class	P0
Mass	0,026 kg

PRODUCT PERFORMANCE

Cr - Dynamic load rating	13 kN
C0r - Static load rating	15,6 kN
N lim - Grease lubrication limit speed	16000 tr/min
N lim - Oil lubrication limit speed	24000 tr/min
Tmin - Min operating temperature	-20 °C
Tmax - Max operating temperature	120 °C

ABUTMENT

Da max - Max shoulder diameter OR	20 mm
ras max - Max shaft & housing fillet radius	0,3 mm



NTN Europe

1 rue des Usines · BP 2017 · 74010 Annecy Cedex · France · Tel. +33 (0)4 50 65 30 00
S.A. au capital de 322 639 919 € · RCS ANNECY B 325 821 072 · Id. Fiscale : FR 48 325 821 072
SIRET 325 821 072 00015 · Code APE 2815 Z · Code NACE 28.15