



Image may differ from product. See technical specification for details.

YSA 207-2FK

Insert bearing with tapered bore and adapter sleeve locking

Insert bearings are based on sealed deep groove ball bearings. This variant, with a tapered bore, is suitable for applications with both constant and alternating directions of rotation. It is locked with an adapter sleeve, enabling quick and easy mounting onto the shaft. Adapter sleeve needs to be ordered separately.

- Quick and easy to mount onto the shaft
- Long service life
- Reduce noise and vibration levels

Overview

Dimensions

Bore diameter	35 mm
Outside diameter	72 mm
Width, total	30.5 mm
Width, inner ring	30.5 mm
Width, outer ring	19 mm

Performance

Basic dynamic load rating	25.5 kN
Basic static load rating	15.3 kN
Limiting speed	5 300 r/min

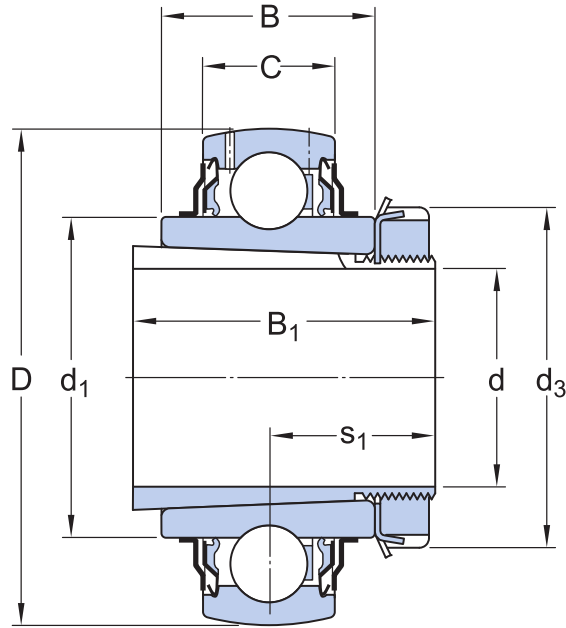
Properties

Retaining feature, inner ring	Adapter sleeve
Bore type	Tapered
Rolling elements	Balls
Outer ring type	Spherical
Inner ring extension	Symmetrically on both sides
Cage	Non-metallic
Rubber seating ring	Without
Material, bearing	Bearing steel
Coating	Without
Sealing	Seal and flinger on both sides
Sealing type	Contact, standard
Lubricant	Grease
Relubrication feature	With

Logistics

Product net weight	0.357 kg
eClass code	23-05-08-02
UNSPSC code	31171536

Technical specification



Dimensions

d	30 mm	Bore diameter of sleeve
D	72 mm	Outside diameter
B_1	43 mm	Width of sleeve
B	30.5 mm	Width of inner ring
C	19 mm	Width of outer ring
d_1	≈ 46.1 mm	Outside diameter of inner ring
d_3	52 mm	Outside diameter of lock nut
s_1	24.45 mm	Distance from locking device side face to raceway centre

Value specified for s_1 is approximate and before the sleeve is driven into the bearing bore (sleeve and inner ring bore at starting position).

Calculation data

Basic dynamic load rating	C	25.5 kN
Basic static load rating	C_0	15.3 kN
Fatigue load limit	P_u	0.655 kN
Limiting speed		5 300 r/min
Calculation factor	f_0	14

Mounting information

Associated spanner		HN 7
Recommended tightening angle for lock nut	α	100 °

Associated products

Rubber seating ring	<input checked="" type="checkbox"/>	RIS 207 A
Adapter sleeve	<input checked="" type="checkbox"/>	H 2307

Tolerances and clearances

GENERAL BEARING SPECIFICATIONS

- [Tolerances](#): table 1, table 2
- [Radial internal clearance](#): Standard inner ring, Other bearings

BEARING INTERFACES




- [Shaft tolerances](#)

Compatible products

Recommended product

SKF Hook spanner, size 7	HN 7
Rubber seating ring for insert bearing	RIS 207 A
Adapter sleeve with KM lock nut and MB lock washer, metric dimensions	H 2307

More Information

 Product details	 Engineering information	 Tools
Designs and variants		SKF Product select
Lubrication	Principles of rolling bearing selection	Bearing Frequency Calculator
General bearing specifications	General bearing knowledge	SimPro Quick
Loads	Bearing selection process	Heater selection tool
Temperature limits	Bearing failure and how to prevent it	
Permissible speed		
Design considerations		
Mounting and dismounting		
Designation system		



Terms of use

By accessing and using this website / app owned and published by AB SKF (publ.) (556007-3495 · Gothenburg) ("SKF"), you agree to the following terms and conditions:

Warranty Disclaimer and Limitation of Liability

Although every care has been taken to assure the accuracy of the information on this website / app, SKF provides this information "AS IS" and DISCLAIMS ALL WARRANTIES, EXPRESS OR IMPLIED, INCLUDING, BUT NOT LIMITED TO, IMPLIED WARRANTIES OF MERCHANTABILITY AND FITNESS FOR A PARTICULAR PURPOSE. You acknowledge that your use of this website / app is at your sole risk, that you assume full responsibility for all costs associated with use of this website / app, and that SKF shall not be liable for any direct, incidental, consequential, or indirect damages of any kind arising out of your access to, or use of the information or software made available on this website / app.

Any warranties and representations in this website / app for SKF products or services that you purchase or use will be subject to the agreed upon terms and conditions in the contract for such product or service.

Further, for non-SKF websites / apps that are referenced in our website / app or where a hyperlink appears, SKF makes no warranties concerning the accuracy or reliability of the information in these websites / apps and assumes no responsibility for material created or published by third parties contained therein. In addition, SKF does not warrant that this website / app or these other linked websites / apps are free from viruses or other harmful elements.

Third Party Services

When viewing YouTube content via the SKF website(s) (i.e. using [YouTube API Services](#)), you agree to be bound by the [YouTube Terms of Service](#).

Copyright

Copyright in this website / app copyright of the information and software made available on this website / app rest with SKF or its licensors. All rights are reserved. All licensed material will reference the licensor that has granted SKF the right to use the material. The information and software made available on this website / app may not be reproduced, duplicated, copied, transferred, distributed, stored, modified, downloaded or otherwise exploited for any commercial use without the prior written approval of SKF. However, it may be reproduced, stored and downloaded for use by individuals without prior written approval of SKF. Under no circumstances may this information or software be supplied to third parties.

This website /app includes certain images used under license from Shutterstock, Inc.

Trademarks and Patents

All trademarks, brand names, and corporate logos displayed on the website / app are the property of SKF or its licensors, and may not be used in any way without prior written approval by SKF. All licensed trademarks published on this website / app reference the licensor that has granted SKF the right to use the trademark. Access to this website / app does not grant to the user any license under any patents owned by or licensed to SKF.

Changes

SKF reserves the right to make changes or additions to this website / app at any time.