


NTN BEARING CORPORATION OF AMERICA

Head Office

1600 E. Bishop Court, P.O. Box 7604

Mount Prospect, IL 60056-7604, U.S.A.

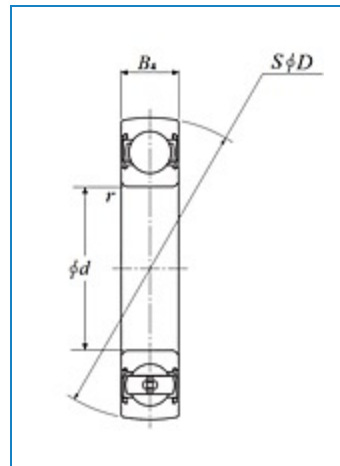
Phone: 847-298-7500

Fax: 847-699-9744

Toll Free: 800-323-2358

Email: mkt@ntnamerica.com
Website: www.ntnamericas.com

Item # CS202LLU, Tight Fit Type Ball Bearings



[Order Now](#) | [Technical Specifications](#) | [Dimensional Specifications](#) | [Specifications](#)

Order Now

Ordering Options

[FIND A DISTRIBUTOR](#)
[CONTACT NTN CUSTOMER SUPPORT SPECIALIST](#)
[ORDER THROUGH NTN DOL \(AUTHORIZED DISTRIBUTORS ONLY\)](#)

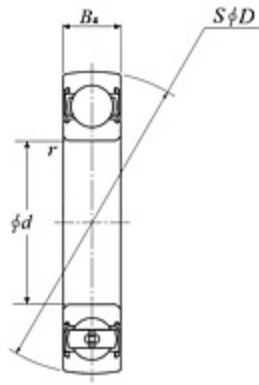
Technical Specifications

Type

Deep Groove Ball Bearing

Bore Type	Round
Material	Through Hardened Steel
Cage Type	Pressed
Cage Material	Steel
Seal Type	Contact
Seal Material	Nitrile Rubber
Outside Ring Type	Spherical
Ball Material	Steel
Precision	Not Available
Configuration	One
Radial Internal Clearance	CN
Static Load Rating	809 lbf 3600 N 3.60 kN
Dynamic Load Rating	1338 lbf 5950 N 5.95 kN
Enclosure	Double Sealed
Weight	0.088 lb 0.190 kg
Operating Temperature Range	-40 to 250 °F -40 to 120 °C

Dimensional Specifications



Tight Fit Type Ball Bearings - Dimensions

d	0.5910 in 15.000 mm
D	1.3780 in 35.000 mm
r	0.0236 in 0.600 mm

Specifications

Radial Dynamic Load Rating	1338 lbf 5950 N
Radial Static Load Rating	809 lbf 3600 N