

VINYL-INSULATED PIN TERMINALS

MAXIMUM ELECTRIC CURRENT:

A.W.G.	26	24	22	20	18	16	14	12	10
AMP.	5.5	7	9	12	17	18	30	35	50

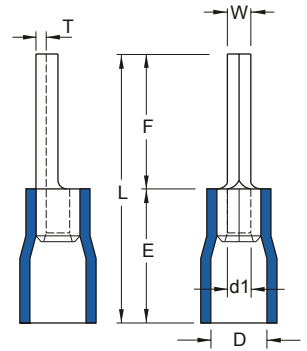
MAXIMUM ELECTRICAL RATING: 105°C 600 VOLTS MAX.

INSULATION MATERIAL: VINYL

INSULATION COLOR:

26-22 A.W.G.: YELLOW 22-16 A.W.G.: RED 16-14 A.W.G.: BLUE

TERMINAL MATERIAL: COPPER



WIRE RANGE A.W.G. mm ²	ITEM NO.		DIMENSION <small>inch mm</small>							CRIMPING TOOL	Q'TY BOX
	BRAZED SEAM	BUTTED SEAM	W	F	L	E	D	d1	T		
26-22 A.W.G. 0.2-0.5 mm ²		PTV0.5-9 [Ⓢ]	.055 1.4	.394 10.0	.709 18.0	.315 8.0	.087 2.2	.039 1.0	.020 0.5	K.S. MODEL LY8-067 WITH DIE INDEX NO:0.5	1000
22-16 A.W.G. 0.5-1.5 mm ²	PTVB1-7	PTV1-7	.075 1.9	.276 7.0	.661 16.8	.394 10.0	.157 4.0	.067 1.7	.030 0.75	IZUMI MODEL 34 WITH DIE INDEX COLOR:RED OR K.S. MODEL KST2000A HRI-126J WITH DIE INDEX COLOR:RED	1000
	PTVB1-9	PTV1-9		.354 9.0	.740 18.8						1000
	PTVB1-10	PTV1-10		.394 10.0	.780 19.8						1000
	PTVB1-12	PTV1-12		.472 12.0	.858 21.8						1000
	PTVB1-13	PTV1-13		.512 13.0	.898 22.8						1000
	PTVB1-14	PTV1-14		.551 14.0	.937 23.8						1000
	PTVB1-16	PTV1-16		.630 16.0	1.016 25.8						1000
	PTVB1-18	PTV1-18		.709 18.0	1.102 28.0						1000
16-14 A.W.G. 1.5-2.5 mm ²	PTVB2-9	PTV2-9	.075 1.9	.354 9.0	.740 18.8	.394 10.0	.177 4.5	.091 2.3	.031 0.8	IZUMI MODEL 34 WITH DIE INDEX COLOR:BLUE OR K.S. MODEL KST2000A HRI-126J WITH DIE INDEX COLOR:BLUE	1000
	PTVB2-10	PTV2-10		.394 10.0	.780 19.8						1000
	PTVB2-12	PTV2-12		.472 12.0	.858 21.8						1000
	PTVB2-13	PTV2-13		.512 13.0	.898 22.8						1000
	PTVB2-16	PTV2-16		.630 16.0	1.024 26.0						1000
	PTVB2-18	PTV2-18		.709 18.0	1.102 28.0						1000
12-10 A.W.G. 4-6 mm ²	PTVB5-10	PTV5-10	.110 2.8	.394 10.0	.945 24.0	.512 13.0	.252 6.4	.134 3.4	.039 1.0	IZUMI MODEL 5 WITH DIE INDEX COLOR:YELLOW OR K.S. MODEL KST2000A HRI-126J WITH DIE INDEX COLOR:YELLOW	500
	PTVB5-13	PTV5-13		.551 14.0	1.063 27.0						500

UL cUL ALL LISTED
Ⓢ: NOT UL AND C-UL LISTED