

# VINYL-INSULATED SPADE TERMINALS

**MAXIMUM ELECTRIC CURRENT:**

A.W.G.	22	20	18	16	14
AMP.	9	12	17	18	30

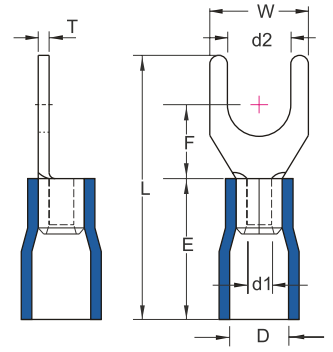
**MAXIMUM ELECTRICAL RATING: 105°C 600 VOLTS MAX.**

**INSULATION MATERIAL: VINYL**

**INSULATION COLOR:**

22-16 A.W.G.: RED ■ 16-14 A.W.G.: BLUE ■

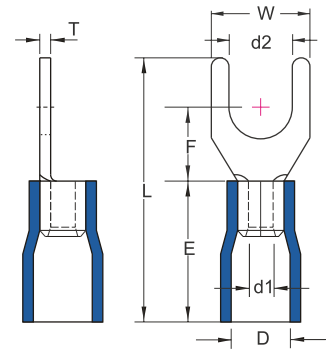
**TERMINAL MATERIAL: COPPER**



WIRE RANGE A.W.G. mm <sup>2</sup>	ITEM NO.		STUD SIZE		DIMENSION <small>inch mm</small>						CRIMPING TOOL	Q'TY BOX								
	BRAZED SEAM	BUTTED SEAM		d2	W	F	L	E	D	d1			T							
22-16 A.W.G.	SVB1-3.2	SV1-3.2 *	#4	.126 3.2	.224 5.7							IZUMI MODEL 34 WITH DIE INDEX COLOR:RED	1000							
	SVBS1-3.7	SVS1-3.7 *	#6	.146 3.7									1000							
	SVBL1-3.7	SVL1-3.7 *	#6	.146 3.7									.252 6.4	1000						
	SVBLL1-3.7	SVLL1-3.7 *	#6	.146 3.7	.283 7.2								1000							
	SVBS1-4	SVS1-4 *	#8	.169 4.3	.252 6.4								1000							
	SVBM1-4	SVM1-4 *	#8	.169 4.3	.283 7.2								.256 6.5	.827 21.0	.394 10.0	.157 4.0	.067 1.7	.030 0.75	K.S. MODEL KST2000A <b>HRI-126J</b> WITH DIE INDEX COLOR:RED	1000
	SVBL1-4	SVL1-4 *	#8	.169 4.3	.319 8.1								1000							
	SVBS1-5	SVS1-5 *	#10	.209 5.3									1000							
	SVBL1-5	SVL1-5 *	#10	.209 5.3	.374 9.5								1000							
	SVBS1-6	SVS1-6 *	1/4	.252 6.4									1000							
SVBL1-6	SVL1-6 *	1/4	.252 6.4	.472 12.0	.433 11.0	1.063 27.0	1000													
16-14 A.W.G.	SVB2-3.2	SV2-3.2 *	#4	.126 3.2	.224 5.7							IZUMI MODEL 34 WITH DIE INDEX COLOR:BLUE	1000							
	SVBS2-3.7	SVS2-3.7 *	#6	.146 3.7									1000							
	SVBL2-3.7	SVL2-3.7 *	#6	.146 3.7									.236 6.0	1000						
	SVBLL2-3.7	SVLL2-3.7 *	#6	.146 3.7	.283 7.2								1000							
	SVBS2-4	SVS2-4 *	#8	.169 4.3	.252 6.4								1000							
	SVBM2-4	SVM2-4 *	#8	.169 4.3	.283 7.2								.256 6.5	.827 21.0	.394 10.0	.177 4.5	.091 2.3	.031 0.8	K.S. MODEL KST2000A <b>HRI-126J</b> WITH DIE INDEX COLOR:BLUE	1000
	SVBL2-4	SVL2-4 *	#8	.169 4.3	.311 7.9								1000							
	SVBS2-5	SVS2-5 *	#10	.209 5.3									1000							
	SVBL2-5	SVL2-5 *	#10	.209 5.3	.366 9.3								1000							
	SVBS2-6	SVS2-6 *	1/4	.252 6.4									1000							
SVBL2-6	SVL2-6 *	1/4	.252 6.4	.472 12.0	.433 11.0	1.063 27.0	1000													

UL cUL ALL LISTED  
\*: ADDITIONAL SF CERTIFIED

# VINYL-INSULATED SPADE TERMINALS



**MAXIMUM ELECTRIC CURRENT:**

A.W.G.	14	12	10	8
AMP.	30	35	50	70

**MAXIMUM ELECTRICAL RATING: 105°C 600 VOLTS MAX.**

**INSULATION MATERIAL: VINYL**

**INSULATION COLOR:**

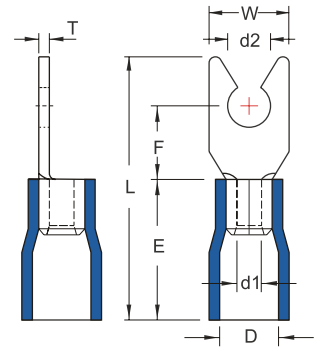
14-12 A.W.G.: BLACK  12-10 A.W.G.: YELLOW  8 A.W.G.: RED

**TERMINAL MATERIAL: COPPER**

WIRE RANGE A.W.G. mm <sup>2</sup>	ITEM NO.		STUD SIZE		DIMENSION <small>inch mm</small>						CRIMPING TOOL	Q'TY BOX		
	BRAZED SEAM	BUTTED SEAM	d2	W	F	L	E	D	d1	T				
14-12 A.W.G.  2.5-4 mm <sup>2</sup>	SVB3-3.7	SV3-3.7	#6	.146 3.7	.315 8.0							IZUMI MODEL 214 WITH DIE INDEX COLOR:BLACK  OR K.S. MODEL KST2000A <b>HRI-126J</b> WITH DIE INDEX COLOR:BLACK	1000	
	SVBS3-4	SVS3-4	#8	.146 3.7	.283 7.2								1000	
	SVB3-4	SV3-4	#8	.169 4.3									1000	
	SVB3-5	SV3-5	#10	.209 5.3	.315 8.0								1000	
	SVB3-6	SV3-6	1/4	.252 6.4	.472 12.0	.358 9.1	1.122 28.5						1000	
12-10 A.W.G.  4-6 mm <sup>2</sup>	SVBS5-3.7	SVS5-3.7	#6	.146 3.7	.283 7.2	.295 7.5	.961 24.4					IZUMI MODEL 5 WITH DIE INDEX COLOR:YELLOW  OR K.S. MODEL KST2000A <b>HRI-126J</b> WITH DIE INDEX COLOR:YELLOW	500	
	SVB5-3.7	SV5-3.7 *	#6	.146 3.7	.327 8.3	.276 7.0	1.004 25.5						500	
	SVBSS5-4	SVSS5-4	#8	.169 4.3	.283 7.2	.295 7.5	.961 24.4						500	
	SVBS5-4	SVS5-4 *	#8	.169 4.3	.327 8.3								500	
	SVBL5-4	SVL5-4 *	#8	.169 4.3					.512 13.0	.252 6.4	.134 3.4		.039 1.0	500
	SVB5-5	SV5-5 *	#10	.209 5.3	.354 9.0	.276 7.0	1.004 25.5							500
	SVBS5-6	SVS5-6 *	1/4	.252 6.4										500
	SVBL5-6	SVL5-6 *	1/4	.252 6.4	.472 12.0	.472 12.0	1.240 31.5							500
SVB5-8	SV5-8	5/16	.331 8.4	.551 14.0	.413 10.5	1.201 30.5						500		
8 A.W.G. 8 mm <sup>2</sup>	SVB8-4	SV8-4	#8	.169 4.3	.413 10.5	.319 8.1	1.142 29.0	.657 16.7	.335 8.5	.177 4.5	.047 1.2		500	

ALL LISTED  
\*: ADDITIONAL CERTIFIED

# VINYL-INSULATED LOCKING SPADE TERMINALS



**MAXIMUM ELECTRIC CURRENT:**

A.W.G.	22	20	18	16	14	12	10
AMP.	9	12	17	18	30	35	50

**MAXIMUM ELECTRICAL RATING: 105°C 600 VOLTS MAX.**

**INSULATION MATERIAL: VINYL**

**INSULATION COLOR:**

22-16 A.W.G.: RED  16-14 A.W.G.: BLUE  12-10 A.W.G.: YELLOW

**TERMINAL MATERIAL: COPPER**

WIRE RANGE A.W.G. mm <sup>2</sup>	ITEM NO.		STUD SIZE		DIMENSION <sup>inch</sup> / <sub>mm</sub>						CRIMPING TOOL	Q'TY BOX	
	BRAZED SEAM	BUTTED SEAM	d2		W	F	L	E	D	d1			T
22-16 A.W.G.  0.5-1.5 mm <sup>2</sup>	LSVB1-3.2	LSV1-3.2	#4	.125 3.2	.252 6.4	.256 6.5	.827 21.0	.394 10.0	.157 4.0	.067 1.7	.030 0.75	IZUMI MODEL 34 WITH DIE INDEX COLOR:RED  OR K.S. MODEL KST2000A <b>HRI-126J</b> WITH DIE INDEX COLOR:RED	1000
	LSVB1-3.7	LSV1-3.7	#6	.146 3.7									1000
	LSVBS1-4	LSVS1-4	#8	.169 4.3	.283 7.2								1000
	LSVBL1-4	LSVL1-4	#8	.169 4.3	.319 8.1								1000
	LSVBS1-5	LSVS1-5	#10	.209 5.3									1000
	LSVBL1-5	LSVL1-5	#10	.209 5.3	.374 9.5								1000
16-14 A.W.G.  1.5-2.5 mm <sup>2</sup>	LSVB2-3.2	LSV2-3.2	#4	.126 3.2	.236 6.0	.256 6.5	.827 21.0	.394 10.0	.177 4.5	.091 2.3	.031 0.8	IZUMI MODEL 34 WITH DIE INDEX COLOR:BLUE  OR K.S. MODEL KST2000A <b>HRI-126J</b> WITH DIE INDEX COLOR:BLUE	1000
	LSVB2-3.7	LSV2-3.7	#6	.146 3.7									1000
	LSVBL2-3.7	LSVL2-3.7	#6	.146 3.7	.283 7.2								1000
	LSVB2-4	LSV2-4	#8	.169 4.3									1000
	LSVBL2-4	LSVL2-4	#8	.169 4.3	.319 8.1								1000
	LSVBS2-5	LSVS2-5	#10	.209 5.3									1000
	LSVBL2-5	LSVL2-5	#10	.209 5.3	.366 9.3								1000
	LSVB2-6	LSV2-6	1/4	.252 6.4									1000
12-10 A.W.G.  4-6 mm <sup>2</sup>	LSVBS5-3.7	LSVS5-3.7	#4	.146 3.7	.307 7.8	.276 7.0	.992 25.2	.512 13.0	.252 6.4	.134 3.4	.039 1.0	IZUMI MODEL 5 WITH DIE INDEX COLOR:YELLOW  OR K.S. MODEL KST2000A <b>HRI-126J</b> WITH DIE INDEX COLOR:YELLOW	500
	LSVB5-3.7	LSV5-3.7	#6	.146 3.7									.327 8.3
	LSVB5-4	LSV5-4	#8	.169 4.3	500								
	LSVB5-5	LSV5-5	#10	.209 5.3	.354 9.0								500
	LSVB5-6	LSV5-6	1/4	.252 6.4	.472 12.0								.472 12.0

UL cUL ALL LISTED

# VINYL-INSULATED FLANGE SPADE TERMINALS

**MAXIMUM ELECTRIC CURRENT:**

A.W.G.	22	20	18	16	14	12	10
AMP.	9	12	17	18	30	35	50

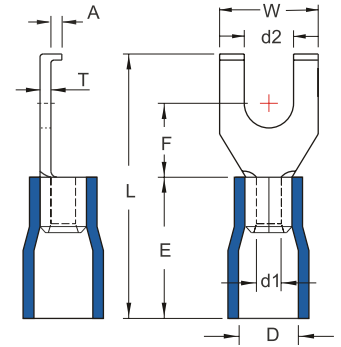
**MAXIMUM ELECTRICAL RATING: 105°C 600 VOLTS MAX.**

**INSULATION MATERIAL: VINYL**

**INSULATION COLOR:**

22-16 A.W.G.: RED  16-14 A.W.G.: BLUE  12-10 A.W.G.: YELLOW

**TERMINAL MATERIAL: COPPER**



WIRE RANGE A.W.G. mm <sup>2</sup>	ITEM NO.		STUD SIZE	DIMENSION <small>inch mm</small>								CRIMPING TOOL	Q'TY BOX	
	BRAZED SEAM	BUTTED SEAM		d2	W	F	L	E	D	d1	A			T
22-16 A.W.G.  0.5-1.5 mm <sup>2</sup>	FSVBS1-2	FSVS1-2	#2	.087 2.2	.252 6.4	.205 5.2	.394 10.0	.157 4.0	.067 1.7	.059 1.5	.030 0.75	IZUMI MODEL 34 WITH DIE INDEX COLOR:RED  OR K.S. MODEL KST2000A HRI-126J WITH DIE INDEX COLOR:RED	1000	
	FSVB1-3.2	FSV1-3.2	#4	.126 3.2	.295 7.5	.201 5.1							.748 19.0	1000
	FSVBS1-3.2	FSVS1-3.2	#4	.126 3.2	.252 6.4									1000
	FSVB1-3.7	FSV1-3.7	#6	.146 3.7	.295 7.5	1000								
	FSVBS1-3.7	FSVS1-3.7	#6	.146 3.7	.252 6.4	1000								
	FSVBL1-3.7	FSVL1-3.7	#6	.146 3.7	.335 8.5	.283 7.2							.965 24.5	1000
	FSVB1-4	FSV1-4	#8	.169 4.3	.295 7.5	.201 5.1							.748 19.0	1000
	FSVBL1-4	FSVL1-4	#8	.169 4.3	.335 8.5	.283 7.2							.965 24.5	1000
	FSVB1-5	FSV1-5	#10	.209 5.3	.295 7.5	.201 5.1							.748 19.0	1000
	FSVBL1-5	FSVL1-5	#10	.209 5.3	.335 8.5	.283 7.2							.965 24.5	1000
16-14 A.W.G.  1.5-2.5 mm <sup>2</sup>	FSVB2-3.7	FSV2-3.7	#6	.146 3.7	.295 7.5	.205 5.2	.748 19.5	.394 10.0	.177 4.5	.091 2.3	.059 1.5	.031 0.8	IZUMI MODEL 34 WITH DIE INDEX COLOR:BLUE  OR K.S. MODEL KST2000A HRI-126J WITH DIE INDEX COLOR:BLUE	1000
	FSVBL2-3.7	FSVL2-3.7	#6	.146 3.7	.335 8.5	.283 7.2	.906 23.0							1000
	FSVB2-4	FSV2-4	#8	.169 4.3	.295 7.5	.205 5.2	.768 19.5							1000
	FSVBM2-4	FSVM2-4	#8	.169 4.3	.315 8.0	.268 6.8	.925 23.5							1000
	FSVBL2-4	FSVL2-4	#8	.169 4.3	.335 8.5	.283 7.2	.906 23.0							1000
	FSVB2-5	FSV2-5	#10	.209 5.3	.295 7.5	.205 5.2	.768 19.5							1000
	FSVBL2-5	FSVL2-5	#10	.209 5.3	.335 8.5	.283 7.2	.906 23.0							1000
12-10 A.W.G.  4-6 mm <sup>2</sup>	FSVB5-3.7	FSV5-3.7	#6	.146 3.7	.335 8.5	.295 7.5	1.063 27.0	.512 13.0	.252 6.4	.134 3.4	.059 1.5	.039 1.0	IZUMI MODEL 5 WITH DIE INDEX COLOR:YELLOW  OR K.S. MODEL KST2000A HRI-126J WITH DIE INDEX COLOR:YELLOW	500
	FSVBS5-3.7	FSVS5-3.7	#6	.146 3.7	.299 7.6	.244 6.2	1.004 25.5							500
	FSVB5-4	FSV5-4	#8	.169 4.3	.335 8.5	.295 7.5	1.063 27.0							500
	FSVBS5-4	FSVS5-4	#8	.169 4.3	.299 7.6	.244 6.2	1.004 25.5							500
	FSVB5-5	FSV5-5	#10	.209 5.3	.335 8.5	.295 7.5	1.063 27.0							500
	FSVBS5-5	FSVS5-5	#10	.209 5.3	.299 7.6	.244 6.2	1.004 25.5							500