

NYLON-INSULATED DOUBLE CRIMP RING TERMINALS

MAXIMUM ELECTRIC CURRENT:

A.W.G.	16	14
AMP.	18	30

MAXIMUM ELECTRICAL RATING: 105°C 600 VOLTS MAX.

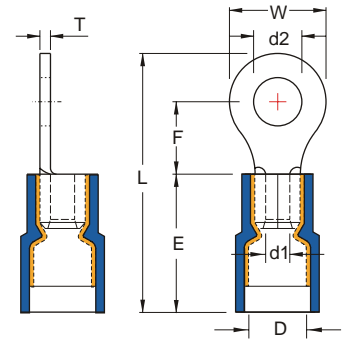
INSULATION MATERIAL: NYLON

INSULATION COLOR:

16-14 A.W.G.: BLUE

DOUBLE CRIMP: WITH COPPER SLEEVE ON BARREL

TERMINAL MATERIAL: COPPER



WIRE RANGE A.W.G. mm ²	ITEM NO.	STUD SIZE		DIMENSION <small>inch mm</small>						CRIMPING TOOL	Q'TY BOX	
		d2		W	F	L	E	D	d1			T
16-14 A.W.G.	RNYD2-2	#2	.087 2.2	.260 6.6	.189 4.8	.740 18.8					IZUMI MODEL 34 WITH DIE INDEX COLOR:BLUE	1000
	RNYD2-2.5	#2	.098 2.5									
	RNYDS2-3.2	#4	.126 3.2	.217 5.5	.220 5.6	.756 19.2						1000
	RNYD2-3.2	#4	.126 3.2	.260 6.6	.189 4.8	.740 18.8						1000
	RNYDL2-3.2	#4	.126 3.2	.335 8.5	.307 7.8	.898 22.8						1000
	RNYDS2-3.7	#6	.146 3.7	.260 6.6	.189 4.8	.740 18.8						1000
	RNYDM2-3.7	#6	.146 3.7									.248 6.3
	RNYDL2-3.7	#6	.146 3.7	.335 8.5	.291 7.4	.898 22.8						1000
	RNYDS2-4	#8	.169 4.3	.260 6.6	.248 6.3	.803 20.4						1000
	RNYDL2-4	#8	.169 4.3	.335 8.5	.307 7.8	.898 22.8						1000
RNYDS2-5	#10	.209 5.3	1000									
1.5-2.5 mm ²	RNYDL2-5	#10	.209 5.3	.374 9.5	.287 7.3	.898 22.8	.433 11.0	.205 5.2	.091 2.3	.031 0.8	OR	1000
	RNYD2-6	1/4	.252 6.4								K.S. MODEL KST2000B WITH DIE INDEX COLOR:BLUE	1000
	RNYD2-7	1/4	.291 7.4									.472 12.0
	RNYD2-8	5/16	.331 8.4									1000
	RNYDL2-8	5/16	.331 8.4									1000
	RNYD2-9	5/16	.386 9.8	.535 13.6	.547 13.9	1.240 31.5						1000
	RNYD2-10	3/8	.413 10.5									1000
	RNYDL2-10	3/8	.413 10.5									.756 19.2
	RNYD2-12	1/2	.512 13.0									1000
	RNYD2-14	9/16	.591 15.0									1000
RNYD2-16	5/8	.669 17.0	1.063 27.0	.827 21.0	1.783 45.3	1000						
RNYD2-20	3/4	.827 21.0	1000									