



Image may differ from product. See technical specification for details.

## YAR 207-2F/VA201

High temperature insert bearing with set screws and extended inner ring

SKF high temperature bearings are designed to deliver increased reliability, reduced complexity and decreased environmental impact in operating temperatures up to 350 °C (660 °F). This makes these products very suitable for applications in kiln trucks, roller hearth furnaces, and bakeries, where there are both constant and alternating directions of rotation.

- Excellent performance under severe conditions
- Reduced environmental impact
- Reduce total operating cost
- Virtually maintenance-free operation

## Overview

### Dimensions

Bore diameter	35 mm
Outside diameter	72 mm
Width, total	42.9 mm
Width, inner ring	42.9 mm
Width, outer ring	19 mm

### Performance

Basic dynamic load rating	25.5 kN
Basic static load rating	15.3 kN
Limiting speed	80 r/min
Maximum operating temperature	250 °C

### Properties

Retaining feature, inner ring	Set screws
Bore type	Cylindrical
Rolling elements	Balls
Outer ring type	Spherical
Inner ring extension	On both sides
Cage	Sheet metal
Rubber seating ring	Without
Material, bearing	High temperature steel
Coating	Manganese phosphate coated
Sealing	Shield and flinger on both sides
Sealing type	Non-contact
Lubricant	Solid lubricant
Relubrication feature	With

### Logistics

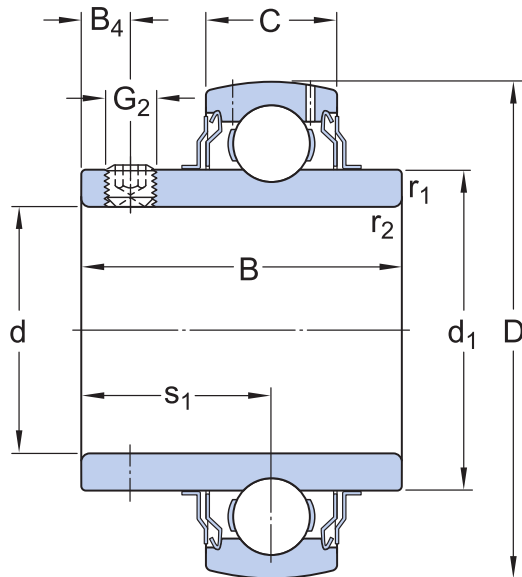
Product net weight	0.439 kg
eClass code	23-05-90-90
UNSPSC code	31171536



## Technical specification

Running in required

Yes



## Dimensions

$d$	35 mm	Bore diameter
$D$	72 mm	Outside diameter
$B$	42.9 mm	Width inner ring
$C$	19 mm	Width outer ring
$d_1$	$\approx 46.1$ mm	Shoulder diameter inner ring
$B_4$	6 mm	Distance from locking device side face to thread centre
$s_1$	25.4 mm	Distance from locking device side face to raceway centre
$r_{1,2}$	min. 1 mm	Chamfer dimension

## Calculation data

Basic dynamic load rating	$C$	25.5 kN
Basic static load rating	$C_0$	15.3 kN
Limiting speed		80 r/min

---

Operating temperature	T	max. 250 °C
-----------------------	---	-------------

## Mounting information

---

Set screw	G <sub>2</sub>	M6x0.75
Hexagonal key size for set screw	N	3 mm
Recommended tightening torque for set screw		4 N·m

## Tolerances and clearances




---

### GENERAL BEARING SPECIFICATIONS

- [Tolerances](#): Normal, table
- [Radial internal clearance](#): table



## More Information

 <b>Product details</b>	 <b>Engineering information</b>	 <b>Tools</b>
<a href="#">Deep groove ball bearings for high temperature applications</a>	<a href="#">Principles of rolling bearing selection</a>	<a href="#">Bearing Frequency Calculator</a>
<a href="#">Insert bearings and ball bearing units for high temperature applications</a>	<a href="#">General bearing knowledge</a>	<a href="#">SimPro Quick</a>
<a href="#">General bearing specifications</a>	<a href="#">Bearing selection process</a>	<a href="#">Heater selection tool</a>
<a href="#">Loads and selecting bearing size</a>	<a href="#">Bearing interfaces</a>	
<a href="#">Bearing interfaces</a>	<a href="#">Seat tolerances for standard conditions</a>	
<a href="#">Relubrication and running in</a>	<a href="#">Sealing, mounting and dismounting</a>	
<a href="#">Mounting</a>	<a href="#">Bearing failure and how to prevent it</a>	
<a href="#">Designation system</a>		



# Terms of use

By accessing and using this website / app owned and published by AB SKF (publ.) (556007-3495 · Gothenburg) ("SKF"), you agree to the following terms and conditions:

## Warranty Disclaimer and Limitation of Liability

Although every care has been taken to assure the accuracy of the information on this website / app, SKF provides this information "AS IS" and DISCLAIMS ALL WARRANTIES, EXPRESS OR IMPLIED, INCLUDING, BUT NOT LIMITED TO, IMPLIED WARRANTIES OF MERCHANTABILITY AND FITNESS FOR A PARTICULAR PURPOSE. You acknowledge that your use of this website / app is at your sole risk, that you assume full responsibility for all costs associated with use of this website / app, and that SKF shall not be liable for any direct, incidental, consequential, or indirect damages of any kind arising out of your access to, or use of the information or software made available on this website / app.

Any warranties and representations in this website / app for SKF products or services that you purchase or use will be subject to the agreed upon terms and conditions in the contract for such product or service.

Further, for non-SKF websites / apps that are referenced in our website / app or where a hyperlink appears, SKF makes no warranties concerning the accuracy or reliability of the information in these websites / apps and assumes no responsibility for material created or published by third parties contained therein. In addition, SKF does not warrant that this website / app or these other linked websites / apps are free from viruses or other harmful elements.

## Third Party Services

When viewing YouTube content via the SKF website(s) (i.e. using [YouTube API Services](#)), you agree to be bound by the [YouTube Terms of Service](#).

## Copyright

Copyright in this website / app copyright of the information and software made available on this website / app rest with SKF or its licensors. All rights are reserved. All licensed material will reference the licensor that has granted SKF the right to use the material. The information and software made available on this website / app may not be reproduced, duplicated, copied, transferred, distributed, stored, modified, downloaded or otherwise exploited for any commercial use without the prior written approval of SKF. However, it may be reproduced, stored and downloaded for use by individuals without prior written approval of SKF. Under no circumstances may this information or software be supplied to third parties.

This website /app includes certain images used under license from Shutterstock, Inc.

## Trademarks and Patents

All trademarks, brand names, and corporate logos displayed on the website / app are the property of SKF or its licensors, and may not be used in any way without prior written approval by SKF. All licensed trademarks published on this website / app reference the licensor that has granted SKF the right to use the trademark. Access to this website / app does not grant to the user any license under any patents owned by or licensed to SKF.

## Changes

SKF reserves the right to make changes or additions to this website / app at any time.