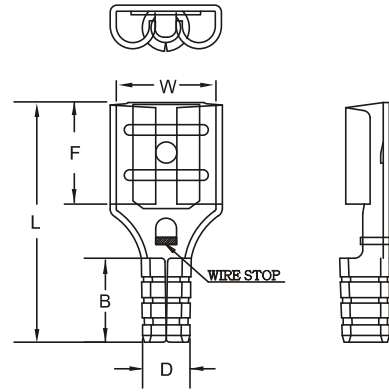


## NON-INSULATED FEMALE DISCONNECTORS



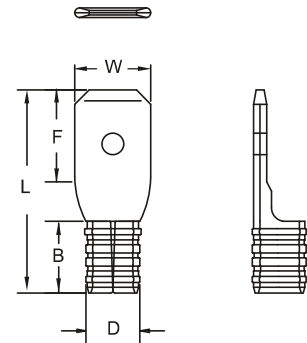
**MAXIMUM ELECTRIC CURRENT:**

A.W.G.	22	20	18	16	14	12	10
AMP.	3	4	7	10	15	20	24

**SURFACE TREATMENT: TIN PLATED**

WIRE RANGE A.W.G. mm <sup>2</sup>	ITEM NO.	NEMA TAB	DIMENSION <sup>inch</sup> / <sub>mm</sub>						CRIMPING TOOL	Q'TY BOX
			W	F	L	B	D	T		
22-16 A.W.G. 0.5-1.5 mm <sup>2</sup>	FDN1-110(5)	.020×.110 (0.5×2.8)	.126 3.2	.256 6.5	.535 13.6	.196 5.0	.106 2.7	.012 0.3	K.S. MODEL KST2000DN	1000
	FDN1-187(5)	.020×.187 (0.5×4.75)	.197 5.0	.248 6.3	.543 13.8	.189 4.8	.106 2.7	.014 0.35		1000
	FDN1-205(5)	.020×.205 (0.5×5.2)	.224 5.7	.228 5.8	.539 13.7			.016 0.4		1000
	FDN1-250	.032×.250 (0.8×6.35)	.260 6.6	.295 7.5	.598 15.2			1000		
16-14 A.W.G. 1.5-2.5 mm <sup>2</sup>	FDN2-110(5)	.020×.110 (0.5×2.8)	.126 3.2	.256 6.5	.535 13.6	.196 5.0	.130 3.3	.012 0.3	K.S. MODEL KST2000DN	1000
	FDN2-187(5)	.020×.187 (0.5×4.75)	.197 5.0	.248 6.3	.543 13.8	.189 4.8	.130 3.3	.014 0.35		1000
	FDN2-205(5) ©	.020×.205 (0.5×5.2)	.224 5.7	.228 5.8	.535 13.5			.016 0.4		1000
	FDN2-250	.032×.250 (0.8×6.35)	.260 6.6	.295 7.5	.598 15.2			1000		
12-10 A.W.G. 4-6 mm <sup>2</sup>	FDN5-250	.032×.250 (0.8×6.35)	.260 6.6	.295 7.5	.641 16.3	.236 6.0	.177 4.5	.016 0.4	K.S. MODEL KST2000DN	1000
										1000

## NON-INSULATED MALE DISCONNECTORS



**MAXIMUM ELECTRIC CURRENT:**

A.W.G.	22	20	18	16	14	12	10
AMP.	3	4	7	10	15	20	24

**SURFACE TREATMENT: TIN PLATED**

WIRE RANGE A.W.G. mm <sup>2</sup>	ITEM NO.	NEMA TAB	DIMENSION <sup>inch</sup> / <sub>mm</sub>						CRIMPING TOOL	Q'TY BOX
			W	F	L	B	D	T		
22-16 A.W.G. 0.5-1.5 mm <sup>2</sup>	MDN1-250	.032×.250 (0.8×6.35)	.252 6.4	.299 7.6	.646 16.4	.197 5.0	.106 2.7	.016 0.4	K.S. MODEL KST2000DN	1000
16-14 A.W.G. 1.5-2.5 mm <sup>2</sup>	MDN2-250	.032×.250 (0.8×6.35)	.248 6.3	.303 7.7	.646 16.4	.197 5.0	.130 3.3	.016 0.4	K.S. MODEL KST2000DN	1000
12-10 A.W.G. 4-6 mm <sup>2</sup>	MDN5-250	.032×.250 (0.8×6.35)	.252 6.4	.303 7.7	.669 17.0	.236 6.0	.177 4.5	.016 0.4	K.S. MODEL KST2000DN	1000